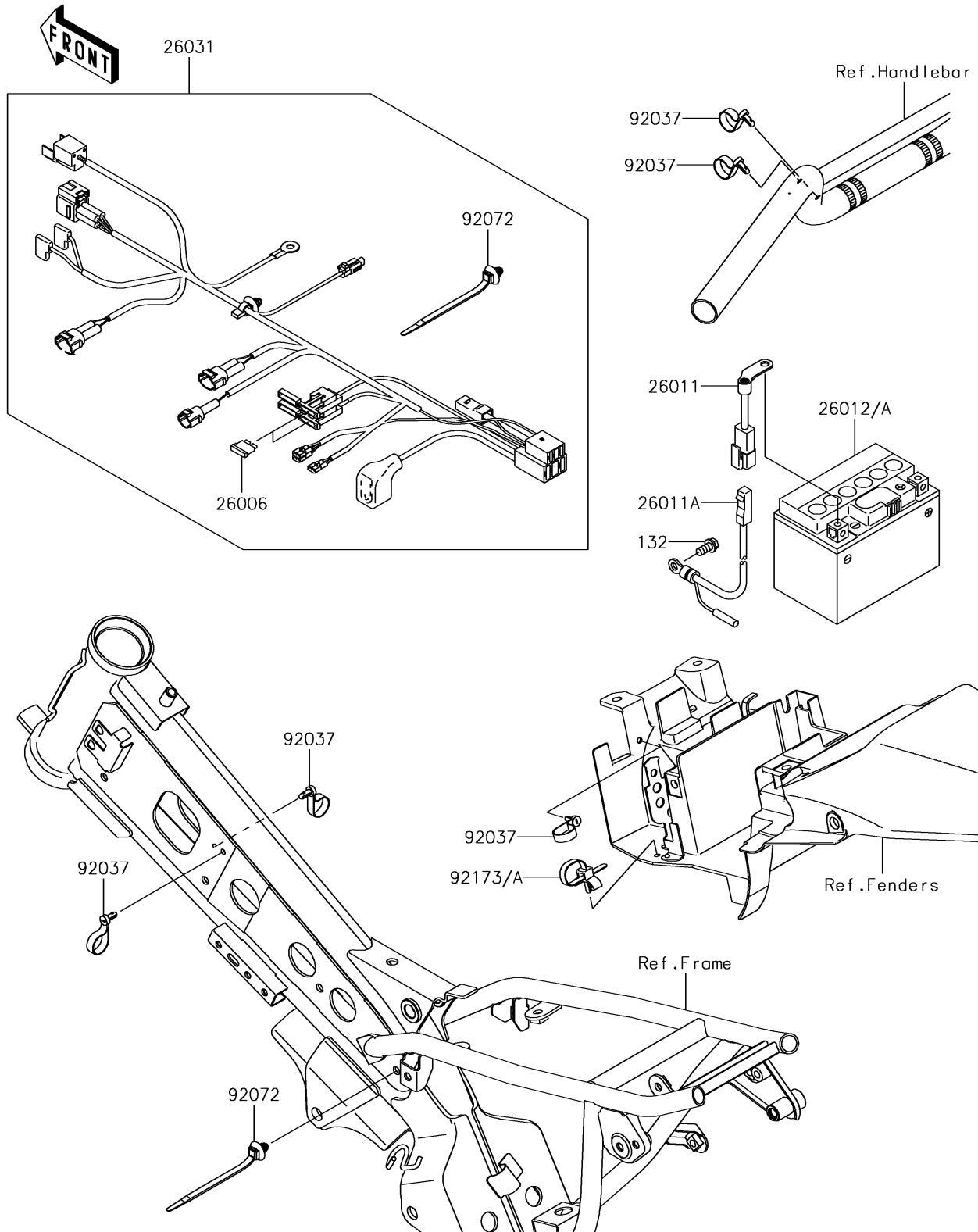


2015 KLX® 110L PARTS DIAGRAM

Chassis Electrical Equipment

F2760



2015 KLX®110L PARTS LIST

Chassis Electrical Equipment

ITEM NAME	PART NUMBER	QUANTITY
BOLT-FLANGED-SMALL,6X12 (Ref # 132)	132BA0612	1
FUSE,MINI BLADE,10A,RED (Ref # 26006)	26006-0009	1
WIRE-LEAD (Ref # 26011)	26011-0245	1
WIRE-LEAD (Ref # 26011A)	26011-0289	1
BATTERY,FTH4L-BS,12V 3AH (Ref # 26012)	26012-0116	1
HARNESS,MAIN (Ref # 26031)	26031-1106	1
CLAMP,SPEED,L=58 (Ref # 92037)	92037-1163	1
BAND,OS170-FT7(BLACK) (Ref # 92072)	92072-1414	1
CLAMP (Ref # 92173)	92173-0191	1