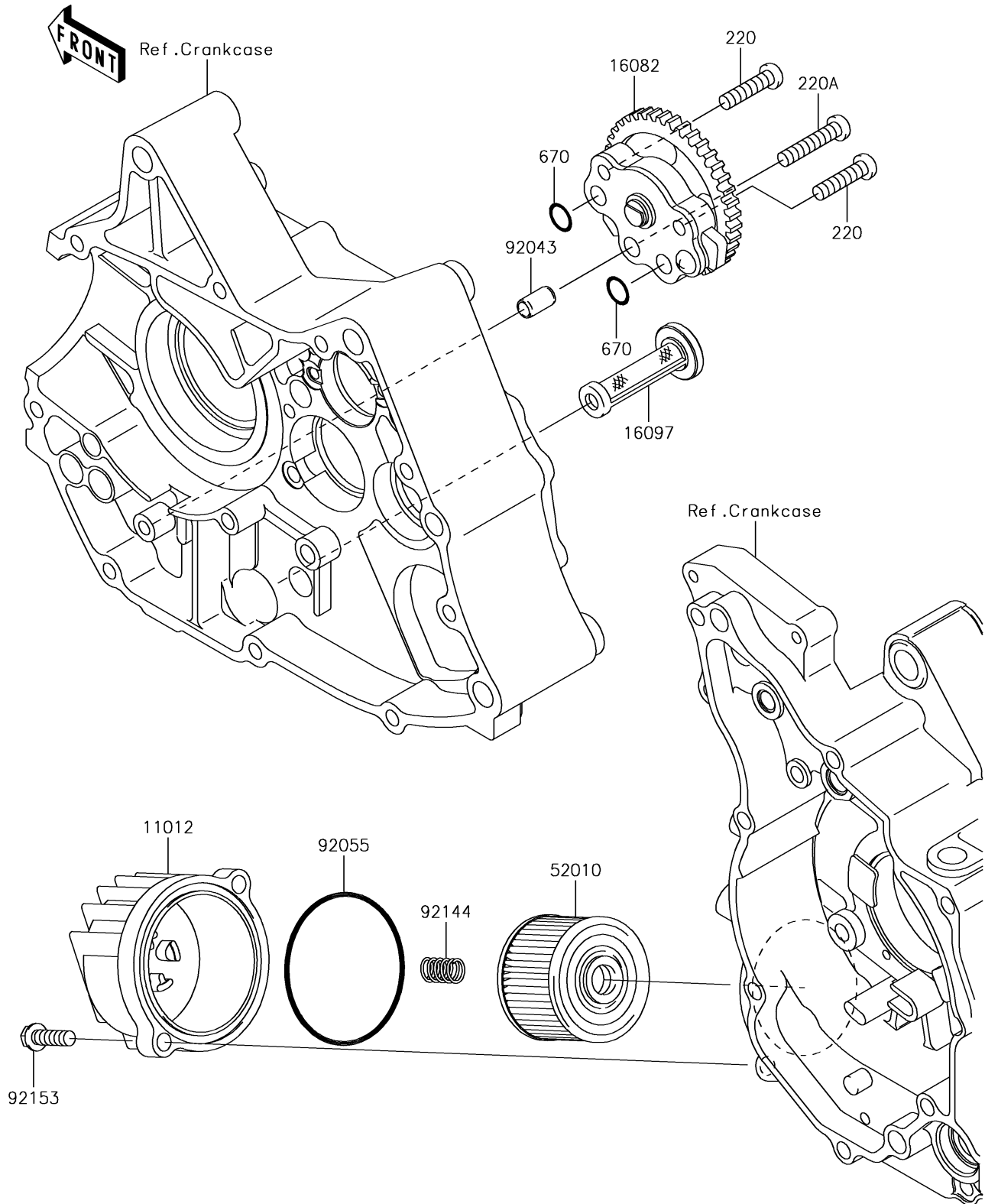


2015 KLX® 110L PARTS DIAGRAM

Oil Pump

E1710



2015 KLX® 110L PARTS LIST

Oil Pump

| ITEM NAME | PART NUMBER | QUANTITY |
|----------------------------------|-------------|----------|
| CAP (Ref # 11012) | 11012-1980 | 1 |
| PUMP-ASSY-OIL (Ref # 16082) | 16082-0010 | 1 |
| FILTER-ASSY-OIL (Ref # 16097) | 16097-1071 | 1 |
| SCREW-PAN-CROS,6X25 (Ref # 220) | 220AA0625 | 1 |
| SCREW-PAN-CROS,6X30 (Ref # 220A) | 220AA0630 | 1 |
| ELEMENT-OIL FILTER (Ref # 52010) | 52010-1053 | 1 |
| O RING,9.8X1.9 (Ref # 670) | 670B1510 | 1 |
| PIN,6.2X8X14 (Ref # 92043) | 92043-0099 | 1 |
| RING-O,59.6X2.4 (Ref # 92055) | 92055-3018 | 1 |
| SPRING (Ref # 92144) | 92144-1892 | 1 |
| BOLT,6X20 (Ref # 92153) | 92153-1184 | 1 |