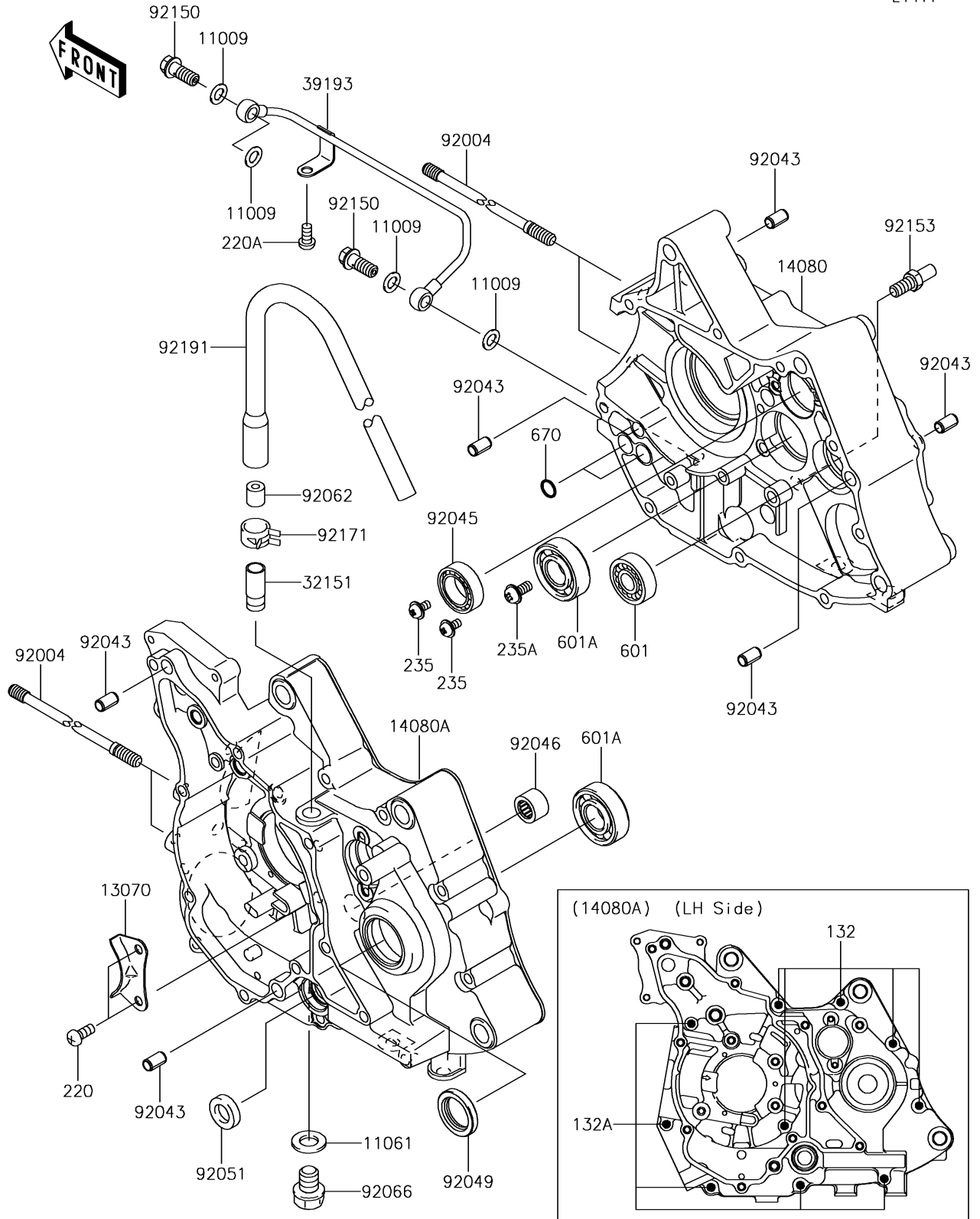


2015 KLX® 110 PARTS DIAGRAM

Crankcase

E1411



2015 KLX®110 PARTS LIST

Crankcase

ITEM NAME	PART NUMBER	QUANTITY
GASKET,8.2X14X1.0 (Ref # 11009)	11009-1344	1
GASKET,DRAIN PLUG (Ref # 11061)	11061-0265	1
GUIDE (Ref # 13070)	13070-1319	1
BOLT-FLANGED-SMALL,6X50 (Ref # 132)	132BD0650	1
BOLT-FLANGED-SMALL,6X75 (Ref # 132A)	132BD0675	1
CRANKCASE,RH (Ref # 14080)	14080-0080	1
CRANKCASE,LH (Ref # 14080A)	14080-0705	1
SCREW-PAN-CROS,6X14 (Ref # 220)	220AA0614	1
SCREW-PAN-CROS,6X12 (Ref # 220A)	220AD0612	1
SCREW-PAN-WP-CROS,5X10 (Ref # 235)	235AA0510	1
SCREW-PAN-WP-CROS,6X14 (Ref # 235A)	235AA0614	1
PIPE (Ref # 32151)	32151-1961	1
PIPE-OIL (Ref # 39193)	39193-1042	1
BEARING-BALL (Ref # 601)	601A6201	1
BEARING-BALL,#6203 (Ref # 601A)	601A6203	1
O RING,9.8X1.9 (Ref # 670)	670B1510	1
STUD,8X192 (Ref # 92004)	92004-0030	1
PIN,6.2X8X14 (Ref # 92043)	92043-0099	1
BEARING-BALL,6804 (Ref # 92045)	92045-1171	1
BEARING-NEEDLE,HK1312 (Ref # 92046)	92046-1148	1
SEAL-OIL (Ref # 92049)	92049-1429	1
SEAL-OIL,TB13225.5 (Ref # 92051)	92051-005	1
NOZZLE,5X11.5X12 (Ref # 92062)	92062-1090	1
PLUG,OIL DRAIN,12X15 (Ref # 92066)	92066-0768	1
BOLT,BANJO,8X20 (Ref # 92150)	92150-1556	1
BOLT,8X15.5 (Ref # 92153)	92153-1823	1
CLAMP (Ref # 92171)	92171-1055	1
TUBE,BREATHER (Ref # 92191)	92191-1724	1