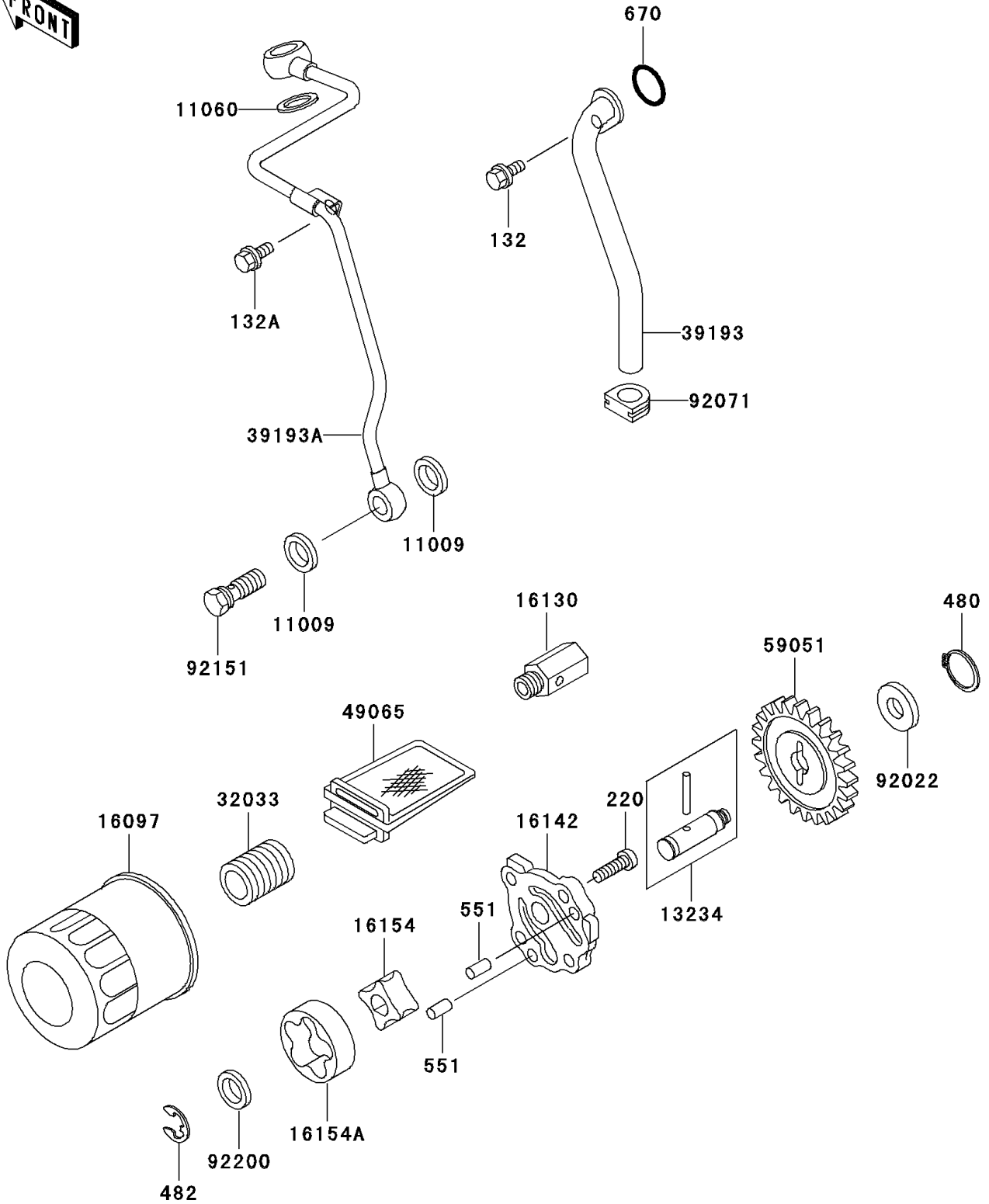


## 1999 Prairie® 300 PARTS DIAGRAM

Oil Pump/Oil Filter

E1710



## 1999 Prairie® 300 PARTS LIST

Oil Pump/Oil Filter

ITEM NAME	PART NUMBER	QUANTITY
BOLT-FLANGED-SMALL,6X10 (Ref # 132)	132Y0610	1
BOLT-FLANGED-SMALL,6X12 (Ref # 132A)	132Y0612	1
SCREW-PAN-CROS,6X20 (Ref # 220)	220B0620	1
CIRCLIP-TYPE-C,12MM (Ref # 480)	480J1200	1
CIRCLIP-TYPE-E,6MM (Ref # 482)	482J6000	1
PIN-DOWEL,6X12 (Ref # 551)	551A0612	1
O RING,12MM (Ref # 670)	670D2012	1
GASKET,10X14.5X1.5 (Ref # 11009)	11009-1105	1
GASKET,14X20X2 (Ref # 11060)	11060-1287	1
SHAFT-COMP (Ref # 13234)	13234-1108	1
FILTER-ASSY-OIL (Ref # 16097)	16097-1063	1
VALVE-ASSY-RELIEF (Ref # 16130)	16130-1001	1
COVER-PUMP (Ref # 16142)	16142-1151	1
ROTOR-PUMP,INNER (Ref # 16154)	16154-1120	1
ROTOR-PUMP,OUTER (Ref # 16154A)	16154-1121	1
PIPE,OIL FILTER (Ref # 32033)	32033-1535	1
PIPE-OIL (Ref # 39193)	39193-1040	1
PIPE-OIL (Ref # 39193A)	39193-1041	1
FILTER-OIL (Ref # 49065)	49065-1070	1
GEAR-SPUR,OIL PUMP,44T (Ref # 59051)	59051-1362	1
WASHER,12.3X22X1.6 (Ref # 92022)	92022-1065	1
GROMMET (Ref # 92071)	92071-1213	1
BOLT,BANJO,10X23 (Ref # 92151)	92151-1349	1
WASHER,7.7X13X1.0 (Ref # 92200)	92200-1107	1