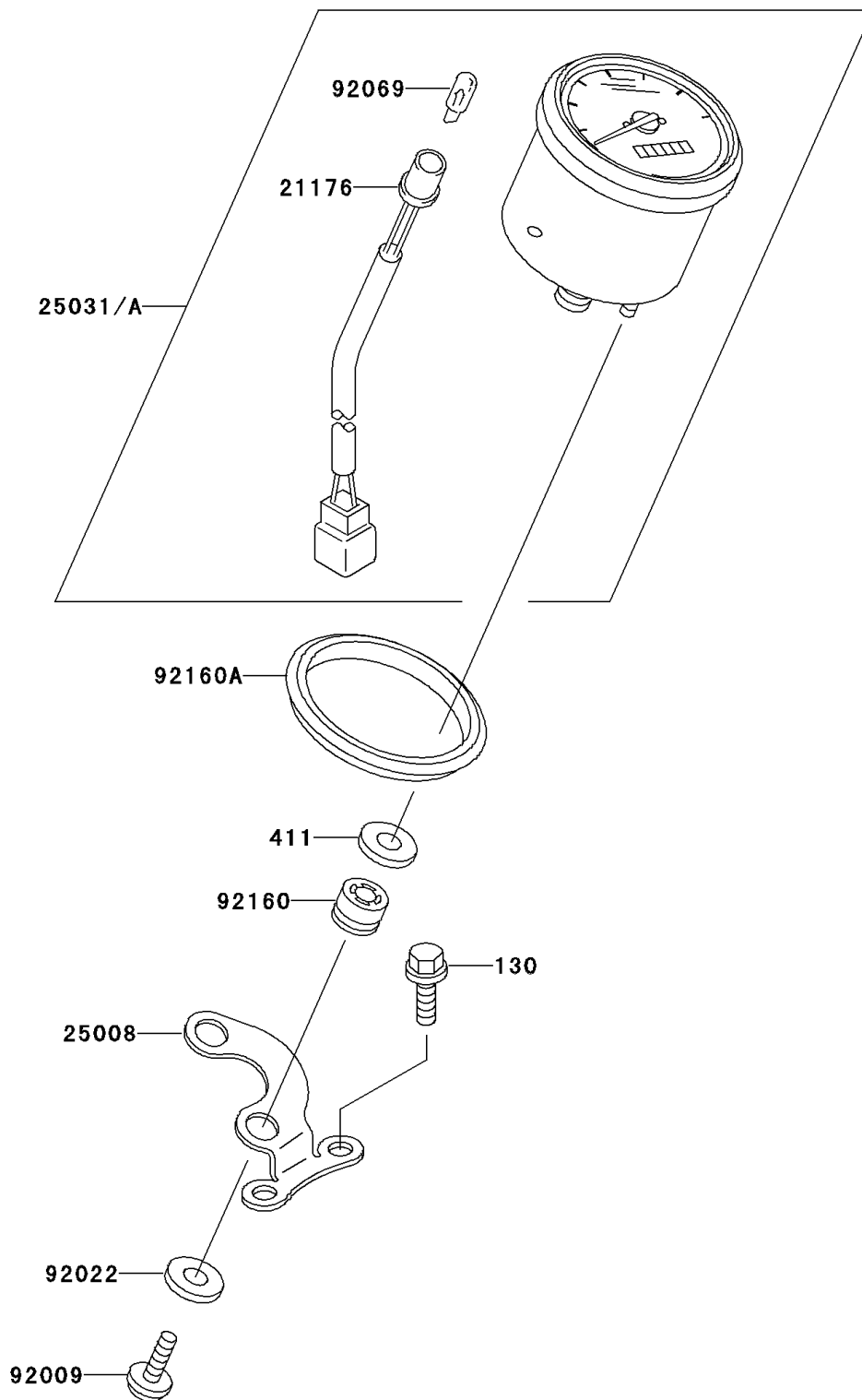


## 1999 Prairie® 300 4x4 PARTS DIAGRAM

Meter(s)

F2530



## 1999 Prairie® 300 4x4 PARTS LIST

Meter(s)

ITEM NAME	PART NUMBER	QUANTITY
BOLT-FLANGED,8X14 (Ref # 130)	130J0814	1
WASHER-PLAIN,8MM (Ref # 411)	411B0800	1
CORD ASSY,SPEEDOMETER (Ref # 21176)	21176-1059	1
BRACKET-METER (Ref # 25008)	25008-1221	1
SCREW,5X12 (Ref # 92009)	92009-3740	1
WASHER,6.5X16X1.0 (Ref # 92022)	92022-1093	1
BULB,12V 1.7W,T10 (Ref # 92069)	92069-1059	1
DAMPER (Ref # 92160)	92160-1461	1
DAMPER,SPEEDOMETER (Ref # 92160A)	92160-1959	1
METER-ASSY,MPH (Ref # 25031)	25031-1080	1
METER-ASSY,KPH (Ref # 25031A)	25031-1083	1