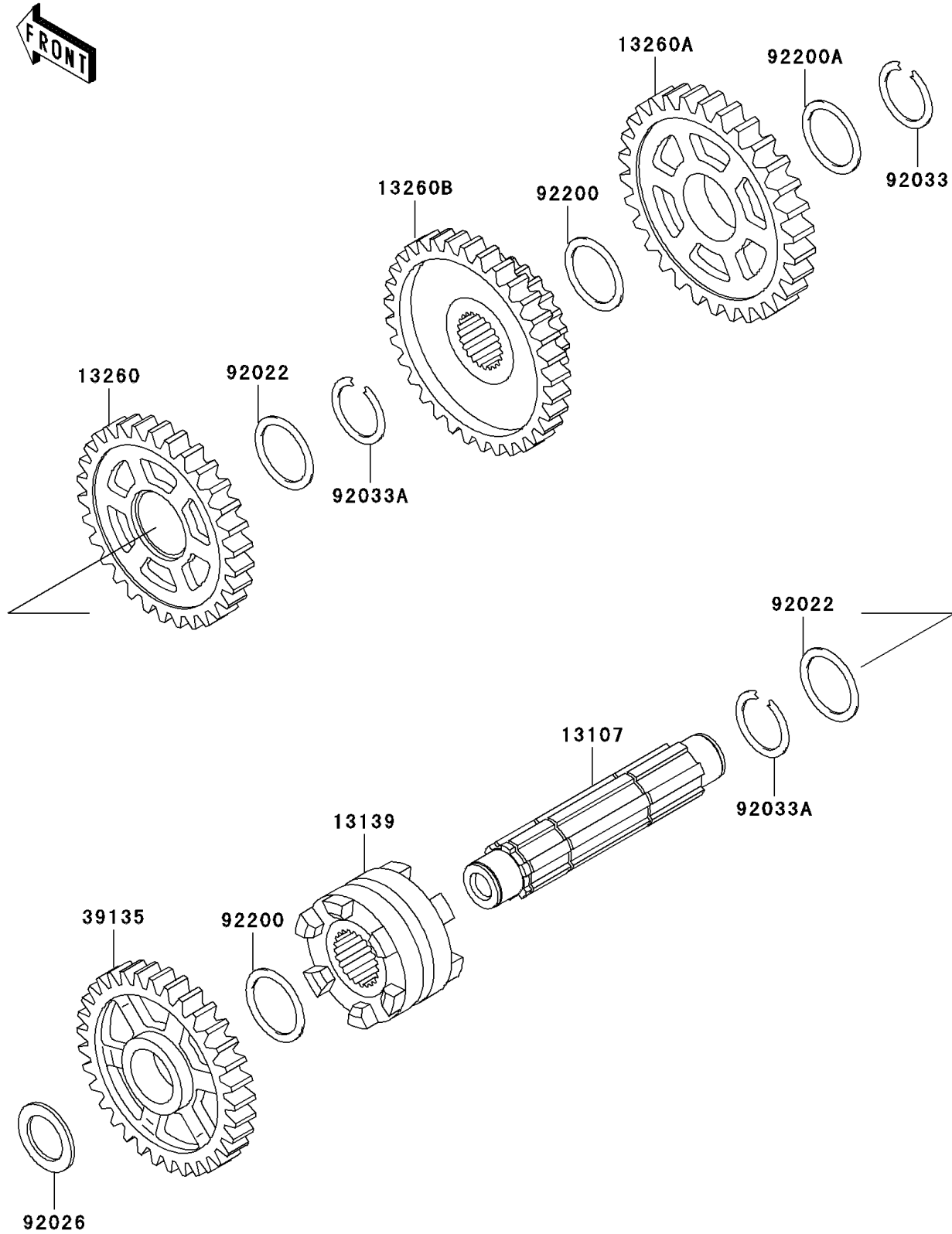


1999 Prairie® 300 4x4 PARTS DIAGRAM

Gear Change Drum/Shift Fork(s)

E1362



1999 Prairie® 300 4x4 PARTS LIST

Gear Change Drum/Shift Fork(s)

| ITEM NAME | PART NUMBER | QUANTITY |
|---|-------------|----------|
| SHAFT,IDLER (Ref # 13107) | 13107-1414 | 1 |
| SHIFTER,FORWARD HI&REVERSE (Ref # 13139) | 13139-1086 | 1 |
| GEAR,FORWARD HIGH,43T (Ref # 13260) | 13260-1766 | 1 |
| GEAR,FORWARD LOW,48T (Ref # 13260A) | 13260-1767 | 1 |
| GEAR,IDLE SHAFT,36T (Ref # 13260B) | 13260-1769 | 1 |
| SPROCKET-DRIVEN,REVERSE,37T (Ref # 39135) | 39135-1059 | 1 |
| WASHER,28.1X34X1.0 (Ref # 92022) | 92022-1731 | 1 |
| SPACER,20.3X30X1.8 (Ref # 92026) | 92026-1066 | 1 |
| RING-SNAP,24MM (Ref # 92033) | 92033-026 | 1 |
| RING-SNAP,25.9X30.6X1.2 (Ref # 92033A) | 92033-1037 | 1 |
| WASHER,24.2X32X0.50 (Ref # 92200) | 92200-1400 | 1 |
| WASHER,24.2X32X1.00 (Ref # 92200A) | 92200-1412 | 1 |