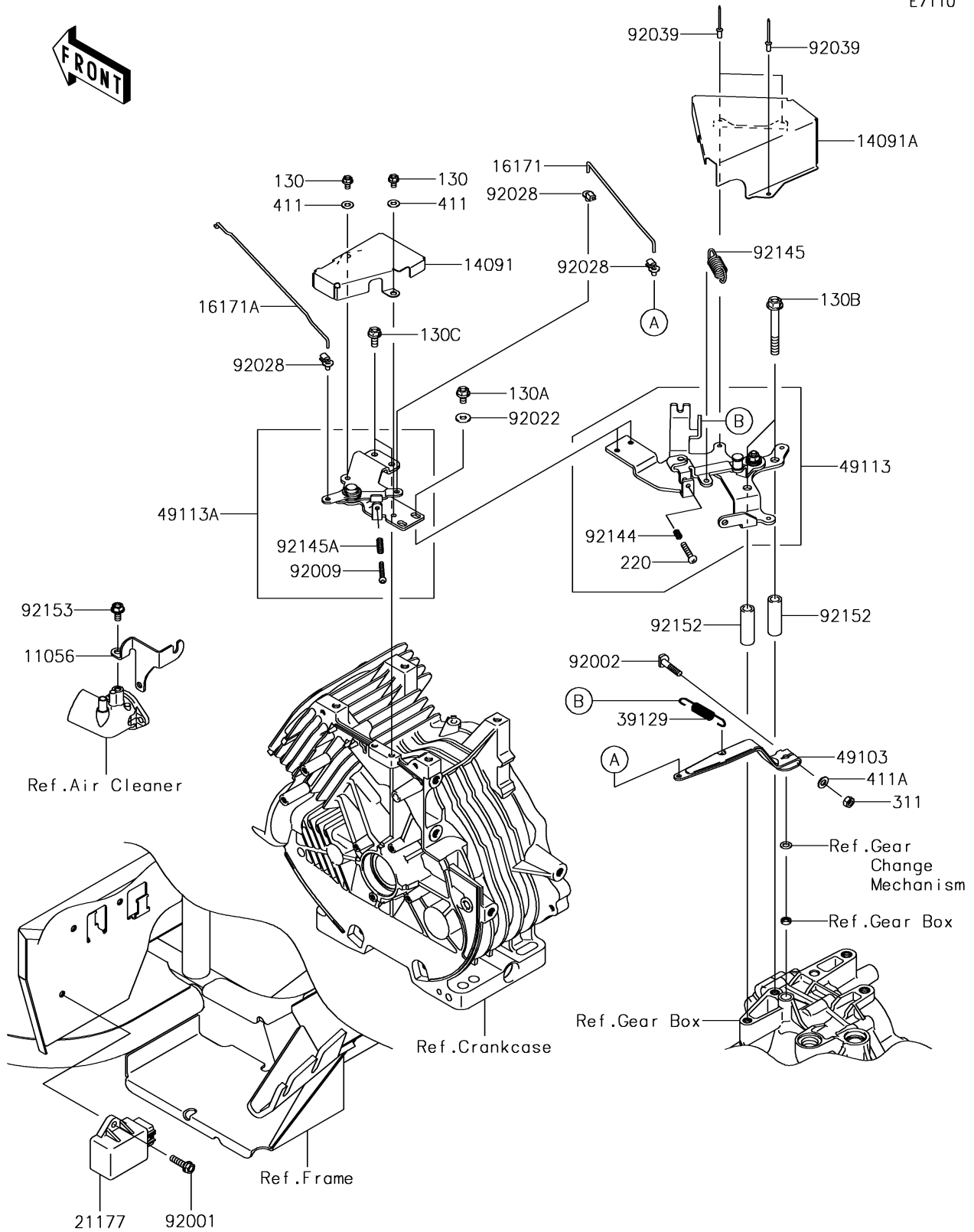


2017 MULE SX™ 4x4 PARTS DIAGRAM

Control

E7110



2017 MULE SX™ 4x4 PARTS LIST

Control

| ITEM NAME | PART NUMBER | QUANTITY |
|-----------------------------------|-------------|----------|
| BRACKET (Ref # 11056) | 11056-2007 | 1 |
| BOLT-FLANGED,5X8 (Ref # 130) | 130BA0508 | 1 |
| BOLT-FLANGED,6X10 (Ref # 130A) | 130BA0610 | 1 |
| BOLT-FLANGED,8X60 (Ref # 130B) | 130BA0860 | 1 |
| BOLT-FLANGED,6X14 (Ref # 130C) | 130BB0614 | 1 |
| COVER,FR (Ref # 14091) | 14091-0401 | 1 |
| COVER,RR (Ref # 14091A) | 14091-0402 | 1 |
| LINK (Ref # 16171) | 16171-0007 | 1 |
| LINK (Ref # 16171A) | 16171-0031 | 1 |
| CONTROLLER (Ref # 21177) | 21177-0003 | 1 |
| SCREW-PAN-CROS,5X22 (Ref # 220) | 220AA0522 | 1 |
| NUT-HEX,6MM (Ref # 311) | 311AA0600 | 1 |
| SPRING-GOVERNOR (Ref # 39129) | 39129-0006 | 1 |
| WASHER-PLAIN,5MM (Ref # 411) | 411AA0500 | 1 |
| WASHER-PLAIN,6MM (Ref # 411A) | 411AA0600 | 1 |
| ARM-GOVERNOR (Ref # 49103) | 49103-1055 | 1 |
| PANEL-COMP-CONTROL (Ref # 49113) | 49113-0006 | 1 |
| PANEL-COMP-CONTROL (Ref # 49113A) | 49113-0046 | 1 |
| BOLT,FLANGED,6X22 (Ref # 92001) | 92001-1352 | 1 |
| BOLT,6X28 (Ref # 92002) | 92002-2269 | 1 |
| SCREW,4X30 (Ref # 92009) | 92009-7002 | 1 |
| WASHER,6.2X15X1.2 (Ref # 92022) | 92022-2373 | 1 |
| BUSHING,GOVERNOR (Ref # 92028) | 92028-2156 | 1 |
| RIVET,BLIND,4.0X9.2 (Ref # 92039) | 92039-1163 | 1 |
| SPRING (Ref # 92144) | 92144-2266 | 1 |
| SPRING,RETURN (Ref # 92145) | 92145-0301 | 1 |
| SPRING (Ref # 92145A) | 92145-7005 | 1 |
| COLLAR,9.1X13.95X42 (Ref # 92152) | 92152-7501 | 1 |
| BOLT,6X12 (Ref # 92153) | 92153-7043 | 1 |