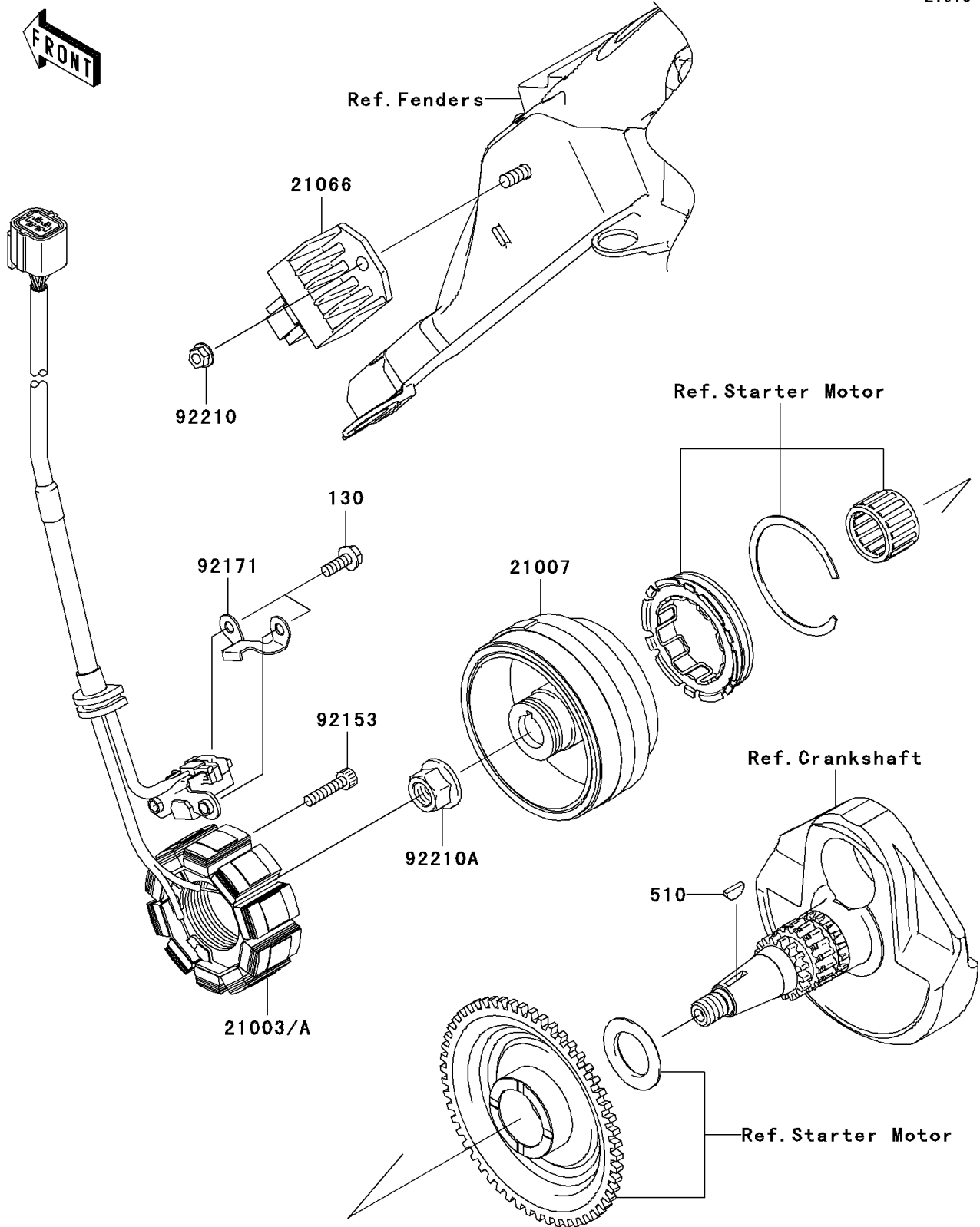


2008 KLX™450R PARTS DIAGRAM

Generator

E1810



2008 KLX™450R PARTS LIST

Generator

ITEM NAME	PART NUMBER	QUANTITY
BOLT-FLANGED,5X14 (Ref # 130)	130BA0514	1
KEY-WOODRUFF (Ref # 510)	510A3200	1
STATOR (Ref # 21003)	21003-0070	1
ROTOR (Ref # 21007)	21007-0097	1
REGULATOR-VOLTAGE (Ref # 21066)	21066-0015	1
BOLT,SOCKET,4X22 (Ref # 92153)	92153-1761	1
CLAMP (Ref # 92171)	92171-0822	1
NUT,6MM (Ref # 92210)	92210-0188	1
NUT,FLANGED,12MM (Ref # 92210A)	92210-1281	1