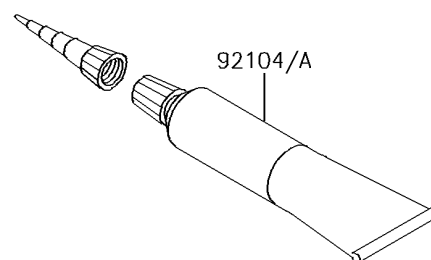
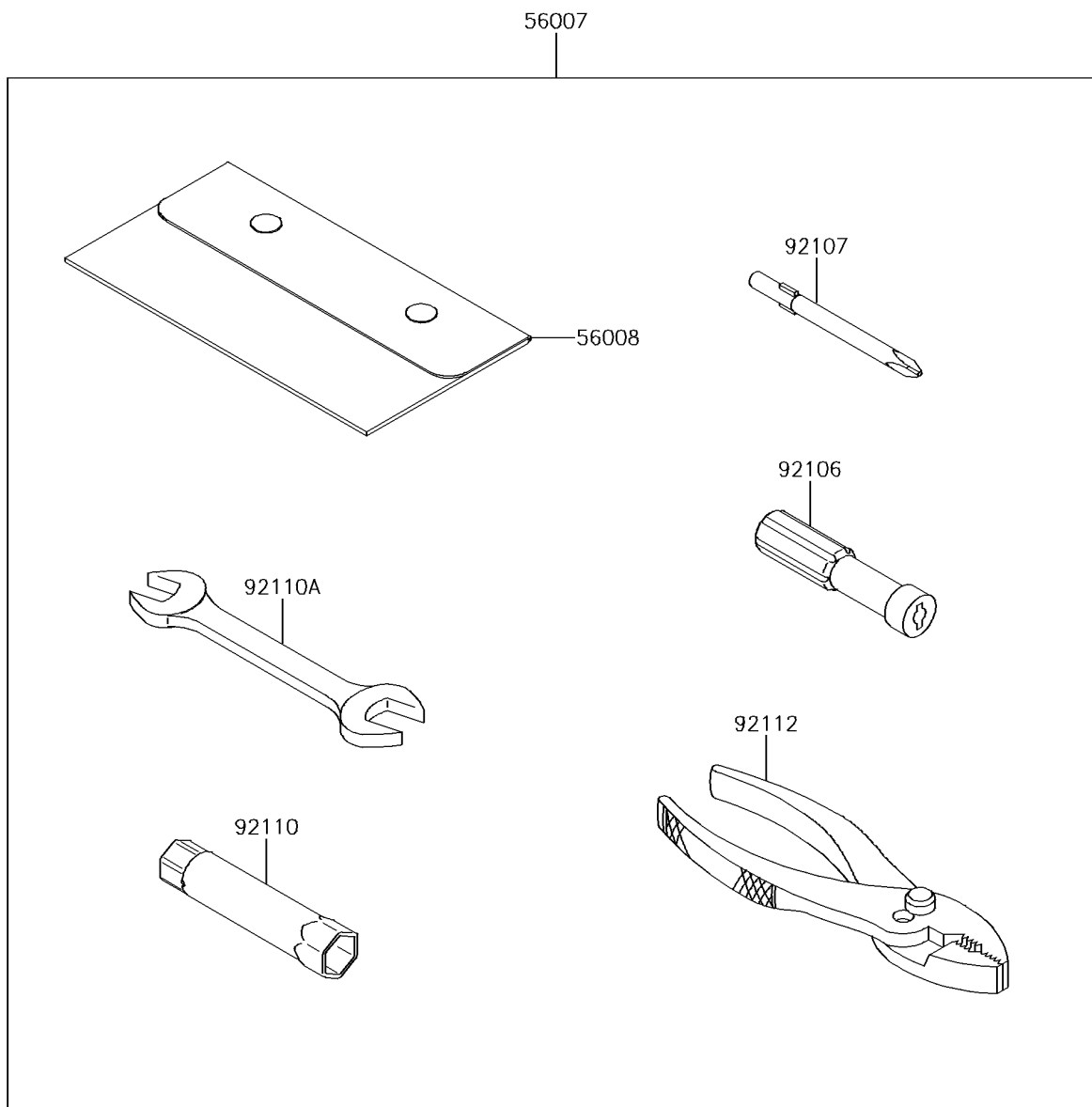


2017 PARTS DIAGRAM

Owner's Tools

F2810



2017 PARTS LIST

Owner's Tools

ITEM NAME	PART NUMBER	QUANTITY
TOOL-KIT (Ref # 56007)	56007-0084	1
BAG,TOOL (Ref # 56008)	56008-0024	1
GASKET-LIQUID,TB1211F,CLEAR (Ref # 92104)	92104-0004	1
GASKET-LIQUID,TB1216B,BLACK (Ref # 92104A)	92104-1064	1
GRIP-SCREW DRIVER (Ref # 92106)	92106-0002	1
TOOL-DRIVER,#2PHILLIPS (Ref # 92107)	92107-0014	1
TOOL-WRENCH,BOX,16X17 (Ref # 92110)	92110-0050	1
TOOL-WRENCH,OPEN END,14X17 (Ref # 92110A)	92110-0053	1
TOOL-PLIERS (Ref # 92112)	92112-0005	1