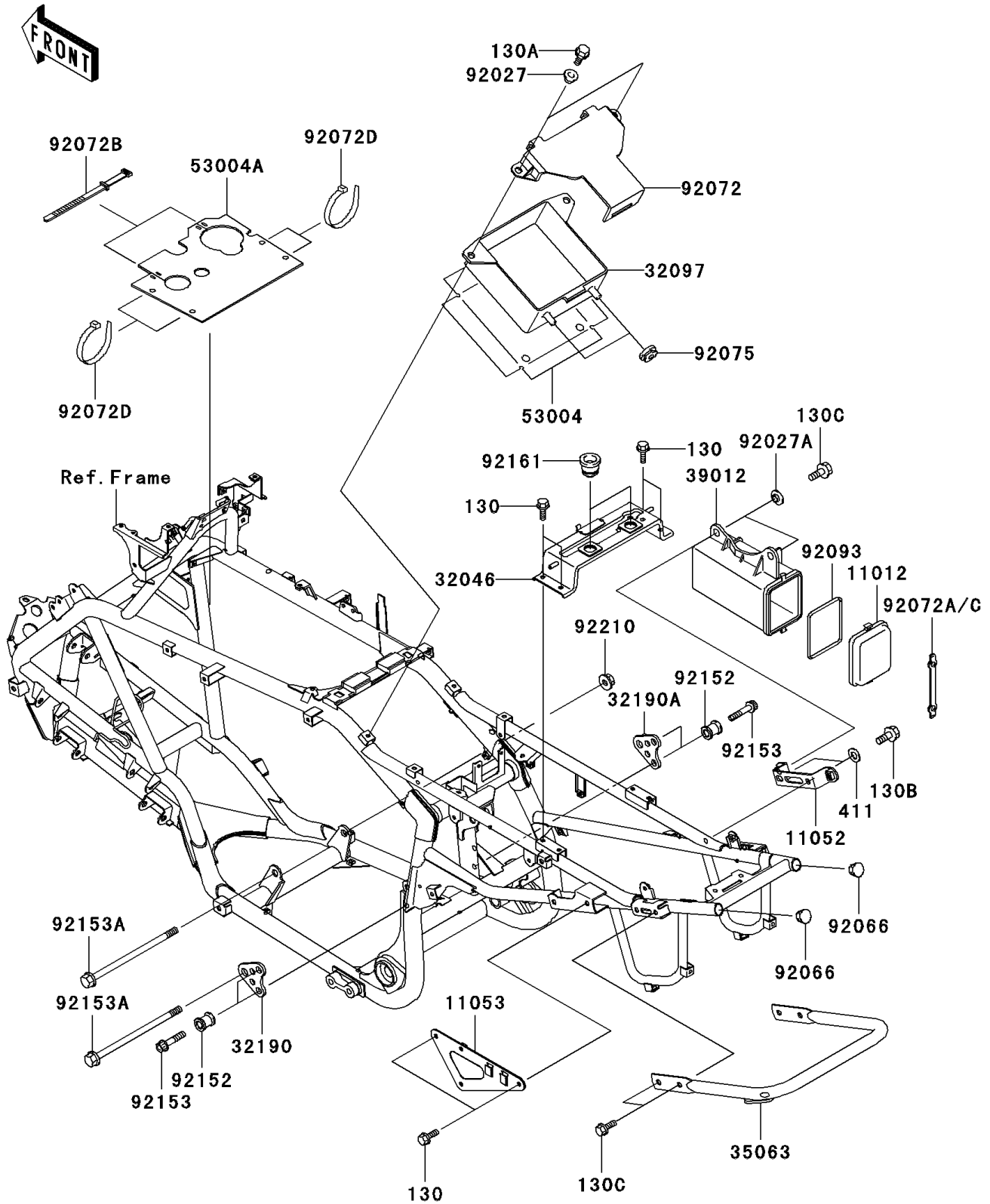


## 2004 KFX<sup>®</sup>700 PARTS DIAGRAM

Frame Fittings

F2131



## 2004 KFX®700 PARTS LIST

Frame Fittings

ITEM NAME	PART NUMBER	QUANTITY
BOLT-FLANGED (Ref # 130)	130J0612	1
BOLT-FLANGED,6X16,BLACK (Ref # 130A)	130J0616	1
BOLT-FLANGED (Ref # 130B)	130J0812	1
BOLT-FLANGED,8X16,BLACK (Ref # 130C)	130J0816	1
WASHER-PLAIN,8MM,BLACK (Ref # 411)	411F0800	1
CAP,TOOL CASE (Ref # 11012)	11012-1606	1
BRACKET,TOOL CASE JOINT (Ref # 11052)	11052-1930	1
BRACKET,REGULATOR,LH (Ref # 11053)	11053-0301	1
BRACKET-SEAT (Ref # 32046)	32046-0006	1
CASE-BATTERY (Ref # 32097)	32097-0002	1
BRACKET-ENGINE,RR,UPP,LH,GRAY (Ref # 32190)	32190-1315-HN	1
BRACKET-ENGINE,RR,UPP,RH,GRAY (Ref # 32190A)	32190-1316-HN	1
STAY,GLOVE BAR,G.GRAY (Ref # 35063)	35063-0033-HN	1
CASE-STORAGE (Ref # 39012)	39012-1055	1
MAT,BATTERY CASE (Ref # 53004)	53004-0002	1
MAT,WATER PROTECT (Ref # 53004A)	53004-0009	1
COLLAR (Ref # 92027)	92027-1166	1
COLLAR (Ref # 92027A)	92027-1354	1
PLUG (Ref # 92066)	92066-1220	1
BAND,BATTERY (Ref # 92072)	92072-0006	1
BAND,L=123 (Ref # 92072B)	92072-030	1
BAND,TOOL CASE CAP (Ref # 92072C)	92072-1226	1
BAND,L=188 (Ref # 92072D)	92072-1239	1
DAMPER (Ref # 92075)	92075-1787	1
SEAL,TOOL CASE CAP (Ref # 92093)	92093-1247	1
COLLAR,L=25 (Ref # 92152)	92152-0061	1
BOLT,SOCKET,10X45 (Ref # 92153)	92153-0408	1
BOLT,FLANGED,12X190 (Ref # 92153A)	92153-1272	1
DAMPER (Ref # 92161)	92161-0048	1

## 2004 KFX®700 PARTS LIST

Frame Fittings

ITEM NAME	PART NUMBER	QUANTITY
NUT,LOCK,FLANGED,12MM (Ref # 92210)	92210-1150	1