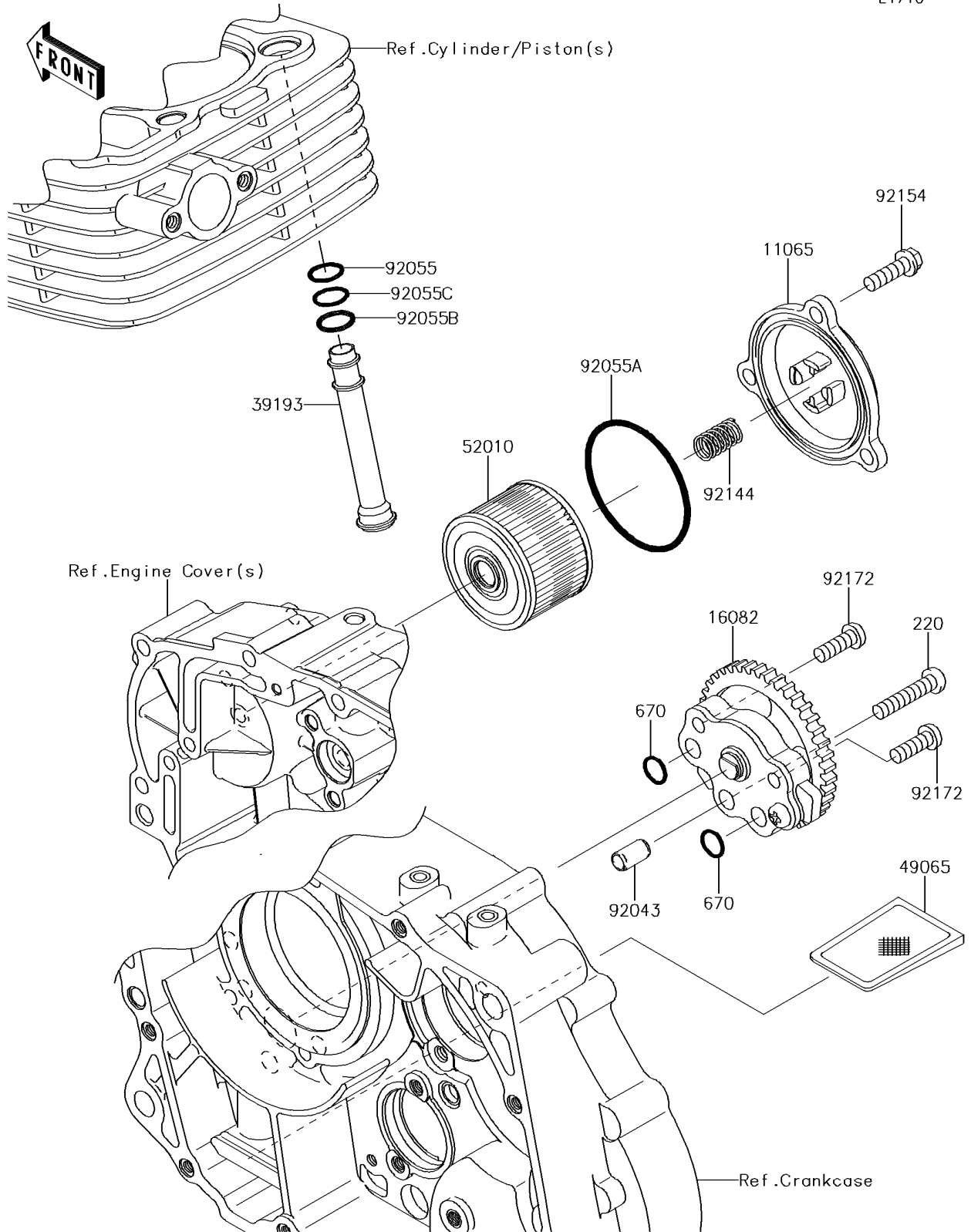


## 2017 PARTS DIAGRAM

Oil Pump

E1710



## 2017 PARTS LIST

Oil Pump

| ITEM NAME                        | PART NUMBER | QUANTITY |
|----------------------------------|-------------|----------|
| CAP (Ref # 11065)                | 11065-0818  | 1        |
| PUMP-ASSY-OIL (Ref # 16082)      | 16082-0040  | 1        |
| SCREW-PAN-CROS,6X30 (Ref # 220)  | 220AA0630   | 1        |
| PIPE-OIL (Ref # 39193)           | 39193-0578  | 1        |
| FILTER-OIL (Ref # 49065)         | 49065-0028  | 1        |
| ELEMENT-OIL FILTER (Ref # 52010) | 52010-0552  | 1        |
| O RING,9.8X1.9 (Ref # 670)       | 670B1510    | 1        |
| PIN,6.2X8X14 (Ref # 92043)       | 92043-0099  | 1        |
| RING-O,9.8X1.9 (Ref # 92055)     | 92055-0061  | 1        |
| RING-O,59.6X2.4 (Ref # 92055A)   | 92055-0190  | 1        |
| RING-O,12.8X1.9 (Ref # 92055B)   | 92055-0773  | 1        |
| RING-O,9.8X2.4 (Ref # 92055C)    | 92055-1150  | 1        |
| SPRING (Ref # 92144)             | 92144-1892  | 1        |
| BOLT,FLANGED,6X20 (Ref # 92154)  | 92154-1219  | 1        |
| SCREW,6X18 (Ref # 92172)         | 92172-0831  | 1        |