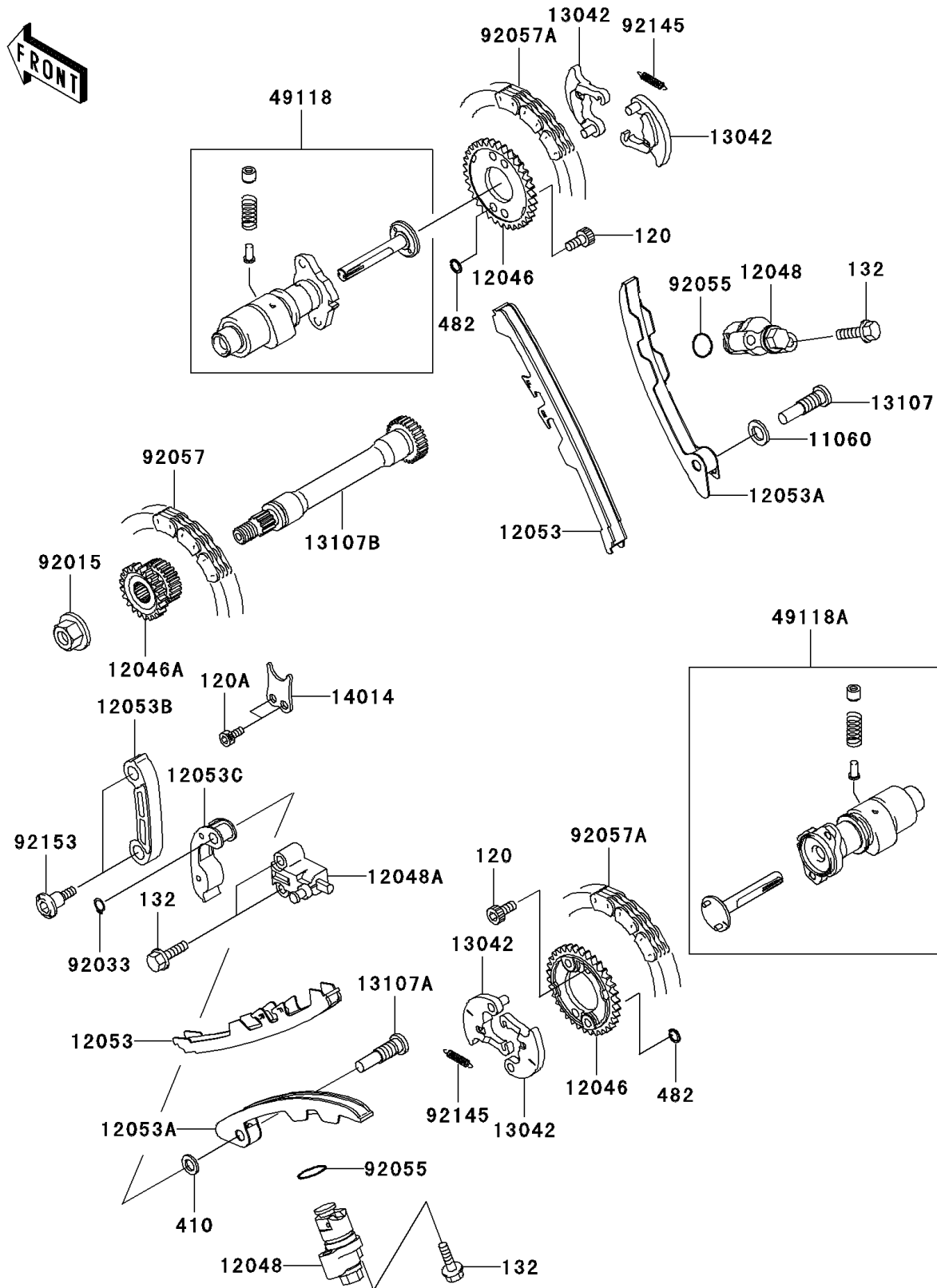


## 2004 KFX®700 PARTS DIAGRAM

Camshaft(s)/Tensioner(KSV700-A1)

E1230



## 2004 KFX®700 PARTS LIST

Camshaft(s)/Tensioner(KSV700-A1)

ITEM NAME	PART NUMBER	QUANTITY
BOLT-SOCKET,6X10 (Ref # 120)	120P0610	1
BOLT-SOCKET,6X14,BLACK (Ref # 120A)	120S0614	1
BOLT-FLANGED-SMALL (Ref # 132)	132Y0630	1
WASHER-PLAIN-SMALL,8MM (Ref # 410)	410B0800	1
CIRCLIP-TYPE-E (Ref # 482)	482J5000	1
GASKET (Ref # 11060)	11060-1966	1
SPROCKET,CAMSHAFT,34T (Ref # 12046)	12046-1203	1
SPROCKET,2ND SHAFT,21T&17T (Ref # 12046A)	12046-1207	1
TENSIONER-ASSY,CAM (Ref # 12048)	12048-1176	1
TENSIONER-ASSY,SECONDARY (Ref # 12048A)	12048-1177	1
GUIDE-CHAIN,CAMSHAFT,TENSION (Ref # 12053)	12053-1441	1
GUIDE-CHAIN,CAMSHAFT,SLACK (Ref # 12053A)	12053-1442	1
GUIDE-CHAIN,TENSION (Ref # 12053B)	12053-1443	1
GUIDE-CHAIN,SLACK (Ref # 12053C)	12053-1444	1
WEIGHT,DECOMP (Ref # 13042)	13042-1141	1
SHAFT,CHAIN GUIDE,FR (Ref # 13107)	13107-1443	1
SHAFT,CHAIN GUIDE,RR (Ref # 13107A)	13107-1444	1
SHAFT,SECONDARY (Ref # 13107B)	13107-1514	1
PLATE-POSITION,DRIVE (Ref # 14014)	14014-1148	1
CAMSHAFT-COMP,FR (Ref # 49118)	49118-0001	1
CAMSHAFT-COMP,RR (Ref # 49118A)	49118-0002	1
NUT,FLANGED,12MM (Ref # 92015)	92015-1433	1
RING-SNAP,8MM (Ref # 92033)	92033-1039	1
RING-O (Ref # 92055)	92055-086	1
CHAIN,SECONDARY SHAFT (Ref # 92057)	92057-1536	1
CHAIN,CAM SHAFT (Ref # 92057A)	92057-1537	1
SPRING,DECOMP (Ref # 92145)	92145-1303	1
BOLT (Ref # 92153)	92153-1200	1