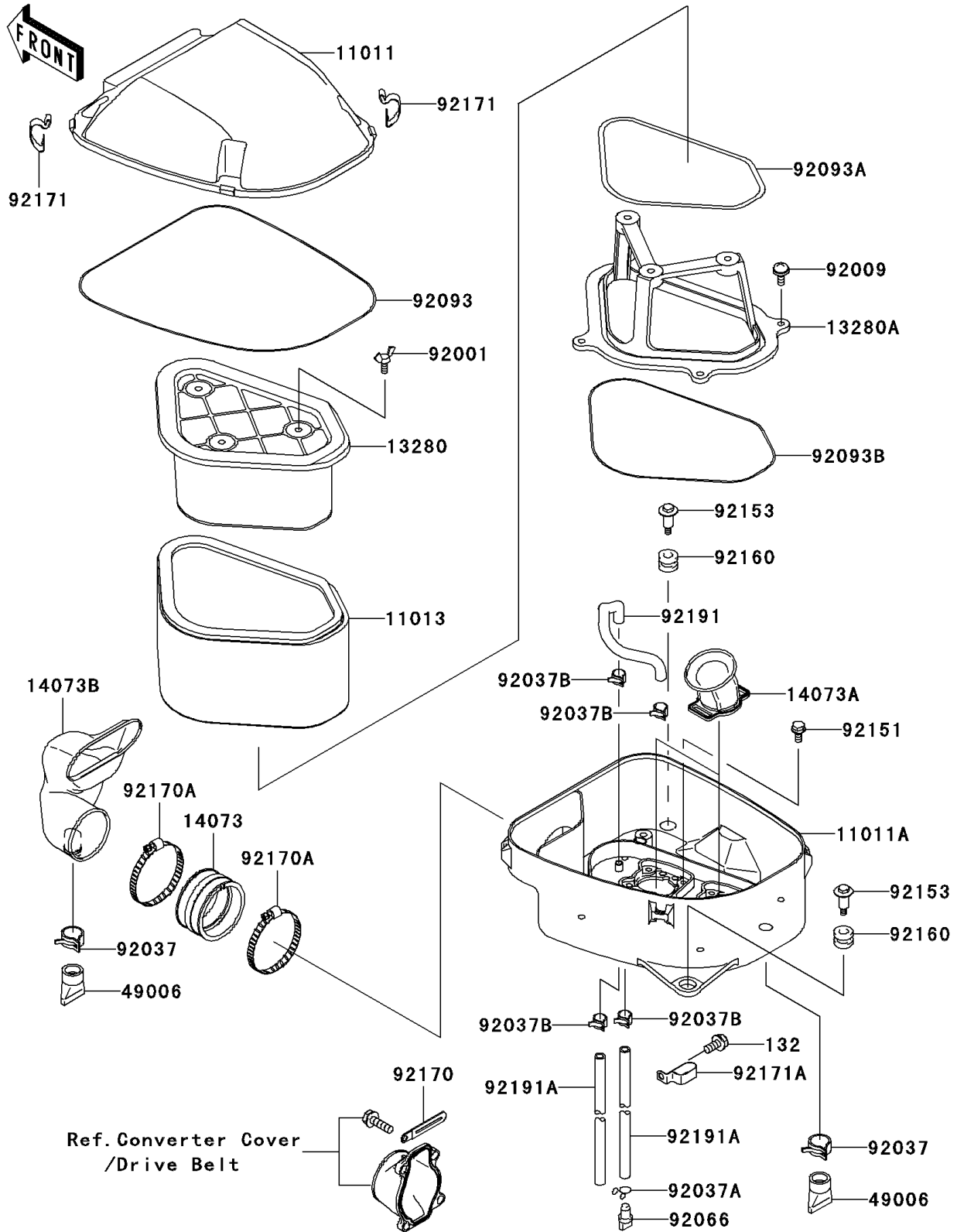


2004 KFX®700 PARTS DIAGRAM

Air Cleaner

E1130



2004 KFX®700 PARTS LIST

Air Cleaner

| ITEM NAME | PART NUMBER | QUANTITY |
|-------------------------------------|-------------|----------|
| BOLT-FLANGED-SMALL (Ref # 132) | 132Y0612 | 1 |
| CASE-AIR FILTER,UPP (Ref # 11011) | 11011-1659 | 1 |
| CASE-AIR FILTER,LWR (Ref # 11011A) | 11011-1660 | 1 |
| ELEMENT-AIR FILTER (Ref # 11013) | 11013-0001 | 1 |
| HOLDER (Ref # 13280) | 13280-1272 | 1 |
| HOLDER (Ref # 13280A) | 13280-1273 | 1 |
| DUCT,AIR FILTER JOINT (Ref # 14073) | 14073-1775 | 1 |
| DUCT,AIR FANNEL (Ref # 14073A) | 14073-1830 | 1 |
| DUCT, INTAKE (Ref # 14073B) | 14073-1849 | 1 |
| BOOT (Ref # 49006) | 49006-1292 | 1 |
| BOLT,WING,6X15 (Ref # 92001) | 92001-1703 | 1 |
| SCREW,6X16 (Ref # 92009) | 92009-1621 | 1 |
| CLAMP (Ref # 92037) | 92037-1460 | 1 |
| CLAMP,TUBE (Ref # 92037A) | 92037-147 | 1 |
| CLAMP,TUBE (Ref # 92037B) | 92037-1505 | 1 |
| PLUG,DRAIN (Ref # 92066) | 92066-1211 | 1 |
| SEAL,AIR FILTER CASE (Ref # 92093) | 92093-1522 | 1 |
| SEAL,HOLDER-HOLDER (Ref # 92093A) | 92093-1569 | 1 |
| SEAL,HOLDER-LOWER (Ref # 92093B) | 92093-1570 | 1 |
| BOLT,5X12 (Ref # 92151) | 92151-1305 | 1 |
| BOLT (Ref # 92153) | 92153-1052 | 1 |
| DAMPER (Ref # 92160) | 92160-1594 | 1 |
| CLAMP (Ref # 92170) | 92170-1514 | 1 |
| CLAMP (Ref # 92170A) | 92170-1764 | 1 |
| CLAMP,AIR FILTER CASE (Ref # 92171) | 92171-1394 | 1 |
| CLAMP,AIR VENT (Ref # 92171A) | 92171-1522 | 1 |
| TUBE,7X11X210 (Ref # 92191) | 92191-1494 | 1 |
| TUBE,7X11X470 (Ref # 92191A) | 92191-1531 | 1 |