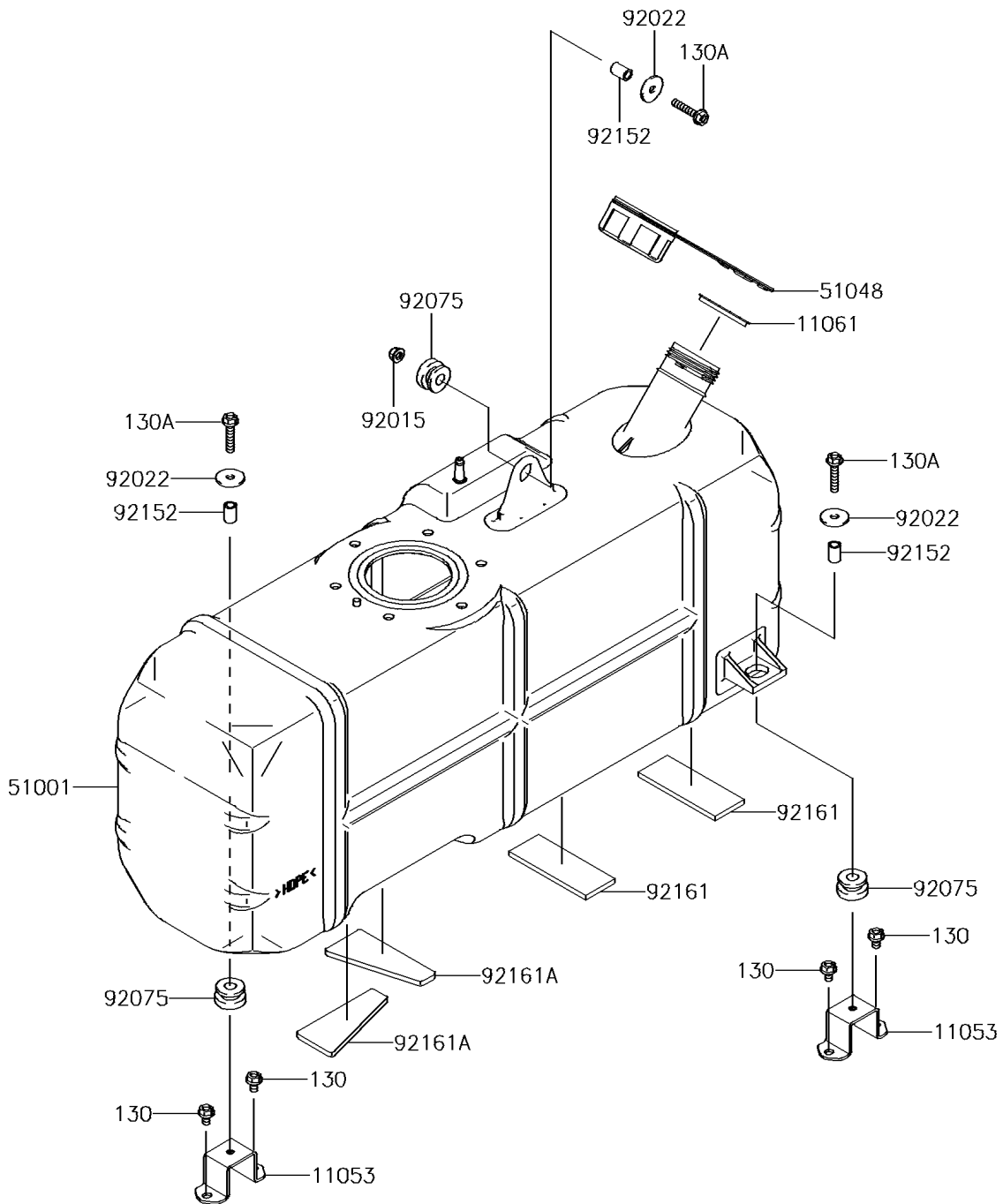


## 2016 Mule™ 4010 4x4 SE PARTS DIAGRAM

Fuel Tank

F2410



## 2016 Mule™ 4010 4x4 SE PARTS LIST

Fuel Tank

ITEM NAME	PART NUMBER	QUANTITY
BRACKET (Ref # 11053)	11053-7512	1
GASKET,FUEL TANK CAP (Ref # 11061)	11061-0395	1
BOLT-FLANGED,6X10 (Ref # 130)	130BA0610	1
BOLT-FLANGED,6X30 (Ref # 130A)	130BA0630	1
TANK-COMP-FUEL (Ref # 51001)	51001-0763	1
CAP-ASSY-TANK,FUEL (Ref # 51048)	51048-0026	1
NUT,LOCK,FLANGED,6MM (Ref # 92015)	92015-1675	1
WASHER,6.5X24X2 (Ref # 92022)	92022-1690	1
DAMPER (Ref # 92075)	92075-1787	1
COLLAR,7.02X10.32X15.3 (Ref # 92152)	92152-7511	1
DAMPER,92X35X4.76 (Ref # 92161)	92161-0813	1
DAMPER,92X19X4.76 (Ref # 92161A)	92161-0814	1