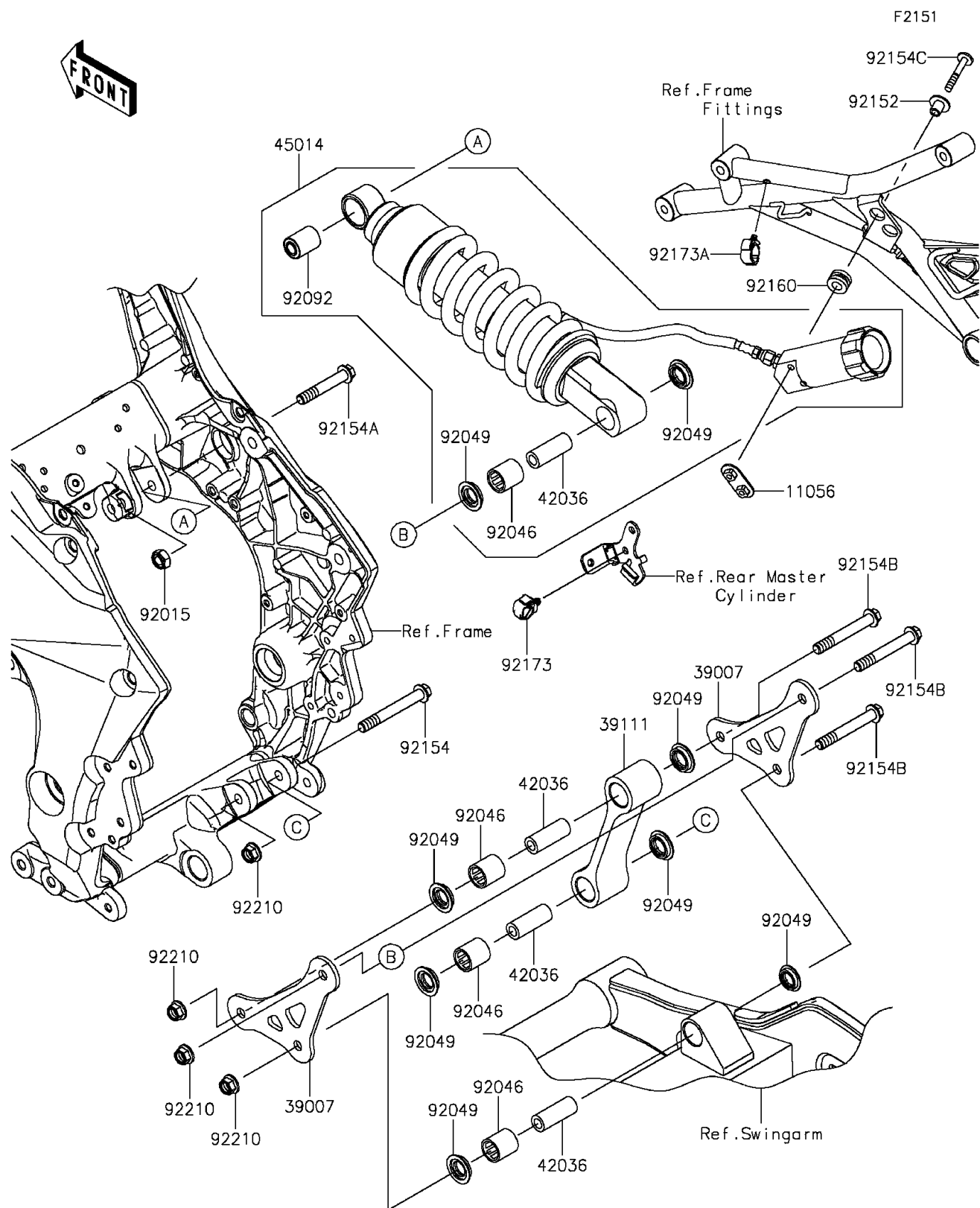


## 2015 VERSYS® 1000 ABS PARTS DIAGRAM

Suspension/Shock Absorber



## 2015 VERSYS® 1000 ABS PARTS LIST

Suspension/Shock Absorber

ITEM NAME	PART NUMBER	QUANTITY
BRACKET (Ref # 11056)	11056-1914	1
ARM-SUSP,F.S.BLACK (Ref # 39007)	39007-0356-18R	1
ROD-TIE (Ref # 39111)	39111-0311	1
SLEEVE,10.1X17X44.5 (Ref # 42036)	42036-1342	1
SHOCKABSORBER,P.SILVER (Ref # 45014)	45014-0474-37Y	1
NUT,LOCK,10MM,BLACK (Ref # 92015)	92015-1189	1
BEARING-NEEDLE,SFYZM172425 (Ref # 92046)	92046-1273	1
SEAL-OIL,MHA17245.7F (Ref # 92049)	92049-1223	1
BUSHING-RUBBER (Ref # 92092)	92092-1058	1
COLLAR,6.5X10X13.1 (Ref # 92152)	92152-0332	1
BOLT,FLANGED,10X77 (Ref # 92154)	92154-0262	1
BOLT,FLANGED,10X60 (Ref # 92154A)	92154-0263	1
BOLT (Ref # 92154B)	92154-0890	1
BOLT,SOCKET,6X42 (Ref # 92154C)	92154-1006	1
DAMPER,10X20X12 (Ref # 92160)	92160-1167	1
CLAMP,12MM DIA. (Ref # 92173)	92173-0736	1
CLAMP,HOLDER CLIP (Ref # 92173A)	92173-0868	1
NUT,LOCK,FLANGED,10MM (Ref # 92210)	92210-1139	1