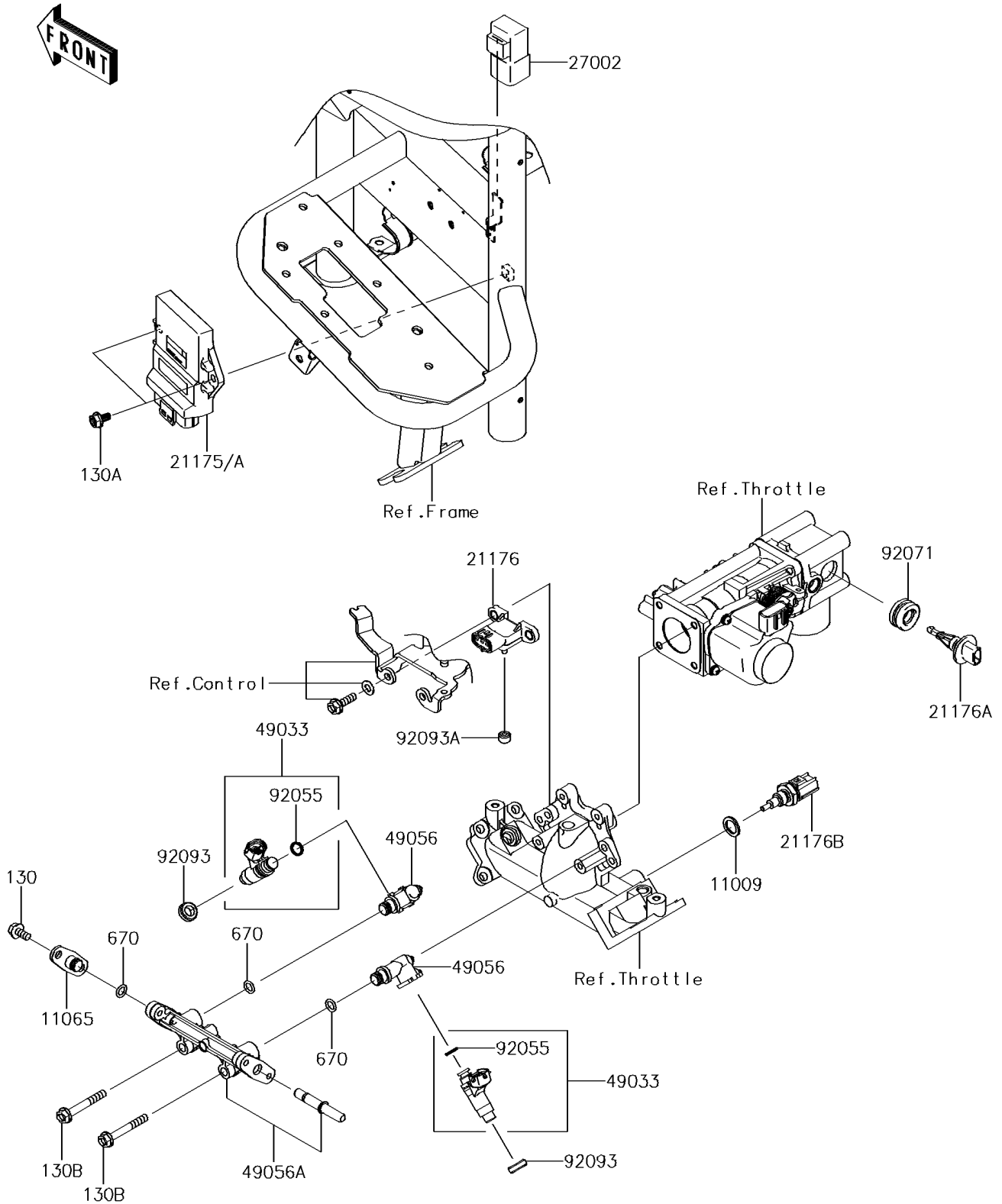


2014 MULE™ 4010 Trans4x4® CAMO PARTS DIAGRAM

Fuel Injection

E1530



2014 MULE™ 4010 Trans4x4® CAMO PARTS LIST

Fuel Injection

ITEM NAME	PART NUMBER	QUANTITY
GASKET,12.5X18X1.5 (Ref # 11009)	11009-1376	1
CAP (Ref # 11065)	11065-2129	1
BOLT-FLANGED,6X12 (Ref # 130)	130BA0612	1
BOLT-FLANGED,6X16 (Ref # 130A)	130BB0616	1
BOLT-FLANGED,6X45 (Ref # 130B)	130CA0645	1
CONTROL UNIT-ELECTRONIC (Ref # 21175)	21175-0332	1
SENSOR,PRESSURE (Ref # 21176)	21176-1095	1
SENSOR,AIR TEMP (Ref # 21176A)	21176-2106	1
SENSOR (Ref # 21176B)	21176-2111	1
RELAY-ASSY (Ref # 27002)	27002-1088	1
NOZZLE-INJECTION (Ref # 49033)	49033-2060	1
PIPE-INJECTION (Ref # 49056)	49056-2062	1
PIPE-INJECTION (Ref # 49056A)	49056-6003	1
O RING,8MM (Ref # 670)	670E1508	1
RING-O,INJECTION NOZZLE (Ref # 92055)	92055-1622	1
GROMMET (Ref # 92071)	92071-2140	1
SEAL (Ref # 92093)	92093-2119	1
SEAL (Ref # 92093A)	92093-2127	1