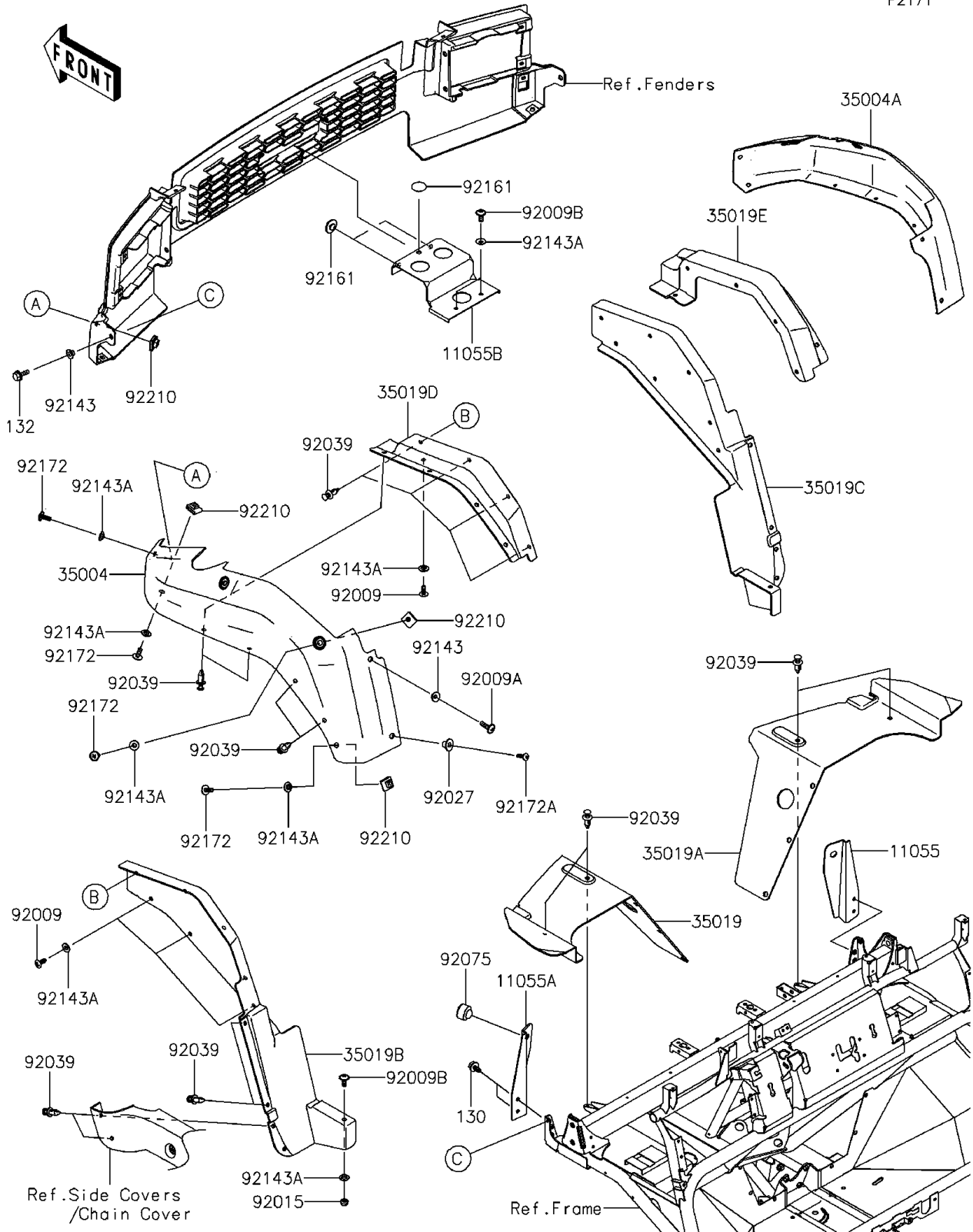


## 2014 MULE™ 4010 Trans4x4® PARTS DIAGRAM

Front Fender(s)

F2171



## 2014 MULE™ 4010 Trans4x4® PARTS LIST

Front Fender(s)

| ITEM NAME                                   | PART NUMBER   | QUANTITY |
|---|---------------|----------|
| BRACKET (Ref # 11055)                       | 11055-0917    | 1        |
| BRACKET (Ref # 11055A)                      | 11055-0918    | 1        |
| BRACKET (Ref # 11055B)                      | 11055-0954    | 1        |
| BOLT-FLANGED,6X14 (Ref # 130)               | 130BA0614     | 1        |
| BOLT-FLANGED-SMALL,6X20 (Ref # 132)         | 132BA0620     | 1        |
| FENDER-FRONT,SIDE,LH,F.BLACK (Ref # 35004)  | 35004-0123-6Z | 1        |
| FENDER-FRONT,SIDE,RH,F.BLACK (Ref # 35004A) | 35004-0124-6Z | 1        |
| FLAP,FR,LH (Ref # 35019)                    | 35019-0062    | 1        |
| FLAP,FR,RH (Ref # 35019A)                   | 35019-0063    | 1        |
| FLAP,SIDE,RR,LH (Ref # 35019B)              | 35019-0064    | 1        |
| FLAP,SIDE,RR,RH (Ref # 35019C)              | 35019-0065    | 1        |
| FLAP,SIDE,MIDDLE,LH (Ref # 35019D)          | 35019-0068    | 1        |
| FLAP,SIDE,MIDDLE,RH (Ref # 35019E)          | 35019-0069    | 1        |
| SCREW,TAPPING,6X16 (Ref # 92009)            | 92009-1166    | 1        |
| SCREW,6X22,BLACK (Ref # 92009A)             | 92009-1256    | 1        |
| SCREW,6X16 (Ref # 92009B)                   | 92009-1621    | 1        |
| NUT,LOCK,FLANGED,6MM (Ref # 92015)          | 92015-1675    | 1        |
| COLLAR (Ref # 92027)                        | 92027-1767    | 1        |
| RIVET (Ref # 92039)                         | 92039-1229    | 1        |
| DAMPER (Ref # 92075)                        | 92075-015     | 1        |
| COLLAR (Ref # 92143)                        | 92143-1057    | 1        |
| COLLAR (Ref # 92143A)                       | 92143-1087    | 1        |
| DAMPER,RUBBER (Ref # 92161)                 | 92161-1200    | 1        |
| SCREW,TAPPING,6X20 (Ref # 92172)            | 92172-0488    | 1        |
| SCREW (Ref # 92172A)                        | 92172-1072    | 1        |
| NUT,LEAF SPRING,6MM (Ref # 92210)           | 92210-0624    | 1        |