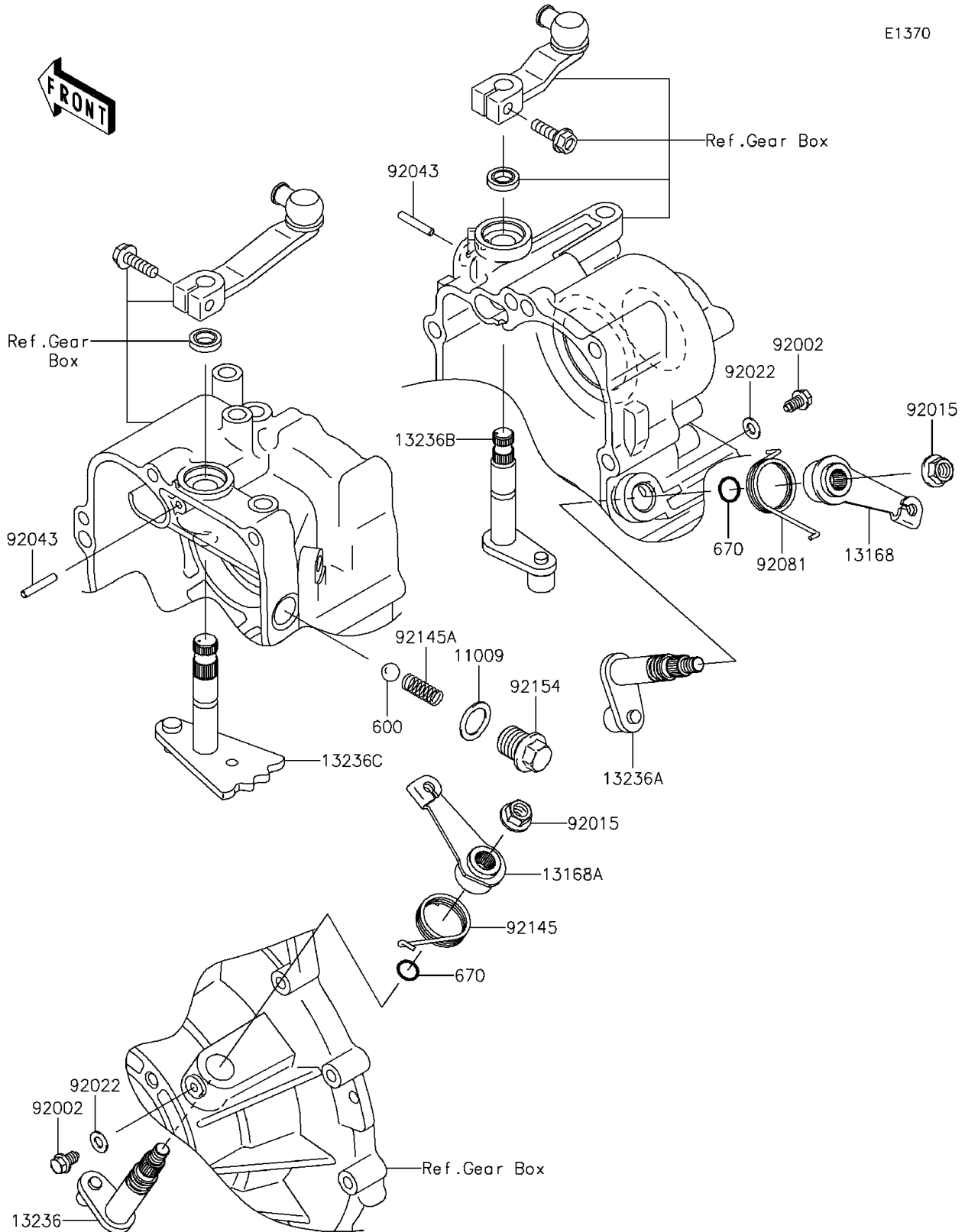


2014 MULE™ 4010 Trans4x4® PARTS DIAGRAM

Gear Change Mechanism

E1370



2014 MULE™ 4010 Trans4x4® PARTS LIST

Gear Change Mechanism

| ITEM NAME | PART NUMBER | QUANTITY |
|--|-------------|----------|
| GASKET,15.5X22X1 (Ref # 11009) | 11009-1008 | 1 |
| LEVER (Ref # 13168) | 13168-1268 | 1 |
| LEVER,DIFF LOCK (Ref # 13168A) | 13168-1523 | 1 |
| LEVER-COMP,DIFF LOCK (Ref # 13236) | 13236-1219 | 1 |
| LEVER-COMP,CHANGE,2WD/4WD (Ref # 13236A) | 13236-1247 | 1 |
| LEVER-COMP,HI/LOW (Ref # 13236B) | 13236-1360 | 1 |
| LEVER-COMP,FR/RR (Ref # 13236C) | 13236-1366 | 1 |
| BALL-STEEL,13/32 (Ref # 600) | 600A1300 | 1 |
| O RING,10MM (Ref # 670) | 670B2010 | 1 |
| BOLT,FLANGED-SMALL,6X8.1X2.5 (Ref # 92002) | 92002-1962 | 1 |
| NUT,FLANGED,8MM (Ref # 92015) | 92015-1406 | 1 |
| WASHER,6.1X12X1 (Ref # 92022) | 92022-077 | 1 |
| PIN (Ref # 92043) | 92043-1415 | 1 |
| SPRING (Ref # 92081) | 92081-1853 | 1 |
| SPRING (Ref # 92145) | 92145-0253 | 1 |
| SPRING (Ref # 92145A) | 92145-0949 | 1 |
| BOLT,NEUTRAL POSITION (Ref # 92154) | 92154-1139 | 1 |