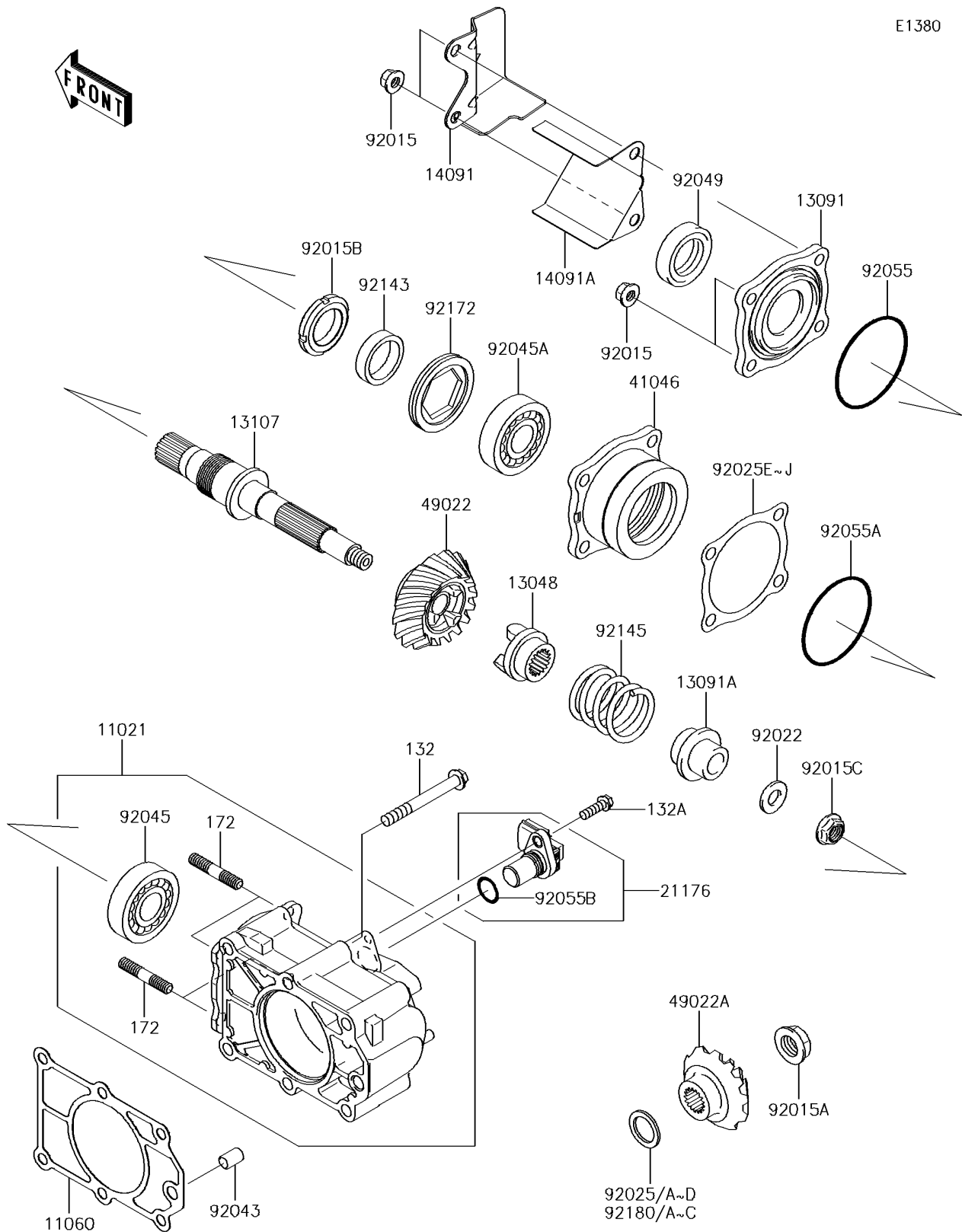


2014 MULE™ 4010 4x4 PARTS DIAGRAM

Bevel Gear Case

E1380



2014 MULE™ 4010 4x4 PARTS LIST

Bevel Gear Case

| ITEM NAME | PART NUMBER | QUANTITY |
|----------------------------------|-------------|----------|
| CASE-ASSY (Ref # 11021) | 11021-0016 | 1 |
| GASKET,GEAR CASE (Ref # 11060) | 11060-1311 | 1 |
| CAM-DAMPER (Ref # 13048) | 13048-1089 | 1 |
| HOLDER,GEAR CASE (Ref # 13091) | 13091-1620 | 1 |
| HOLDER,CAM DAMPER (Ref # 13091A) | 13091-1810 | 1 |
| SHAFT,BEVEL GEAR (Ref # 13107) | 13107-1523 | 1 |
| COVER (Ref # 14091) | 14091-0939 | 1 |
| COVER (Ref # 14091A) | 14091-1672 | 1 |
| SENSOR,SPEED (Ref # 21176) | 21176-1104 | 1 |
| HOUSING-BEARING (Ref # 41046) | 41046-1083 | 1 |
| GEAR-BEVEL,18T (Ref # 49022) | 49022-1204 | 1 |
| GEAR-BEVEL,15T (Ref # 49022A) | 49022-1205 | 1 |
| NUT,8MM (Ref # 92015) | 92015-1402 | 1 |
| NUT,16MM (Ref # 92015A) | 92015-1581 | 1 |
| NUT,30MM (Ref # 92015B) | 92015-1858 | 1 |
| NUT,12MM (Ref # 92015C) | 92015-1920 | 1 |
| WASHER,12X24X2.3 (Ref # 92022) | 92022-1890 | 1 |
| SHIM,20.3X28X1.3 (Ref # 92025) | 92025-1533 | 1 |
| SHIM,20.3X28X0.7 (Ref # 92025A) | 92025-1534 | 1 |
| SHIM,20.3X28X0.15 (Ref # 92025B) | 92025-1573 | 1 |
| SHIM,20.3X28X0.20 (Ref # 92025C) | 92025-1574 | 1 |
| SHIM,20.3X28X1.1 (Ref # 92025D) | 92025-1575 | 1 |
| SHIM,T=1.00 (Ref # 92025E) | 92025-1858 | 1 |
| SHIM,T=0.10 (Ref # 92025F) | 92025-1859 | 1 |
| SHIM,T=0.15 (Ref # 92025G) | 92025-1860 | 1 |
| SHIM,T=0.50 (Ref # 92025H) | 92025-1861 | 1 |
| SHIM,T=0.80 (Ref # 92025I) | 92025-1862 | 1 |
| SHIM,T=1.20 (Ref # 92025J) | 92025-1863 | 1 |
| PIN,DOWEL,10X14 (Ref # 92043) | 92043-1037 | 1 |

2014 MULE™ 4010 4x4 PARTS LIST

Bevel Gear Case

| ITEM NAME | PART NUMBER | QUANTITY |
|--------------------------------------|-------------|----------|
| BEARING-BALL,6205CM (Ref # 92045) | 92045-1200 | 1 |
| BEARING-BALL,6006CM (Ref # 92045A) | 92045-1201 | 1 |
| SEAL-OIL (Ref # 92049) | 92049-1288 | 1 |
| RING-O,66.5MM (Ref # 92055) | 92055-1287 | 1 |
| RING-O,63.6X2.4 (Ref # 92055A) | 92055-1294 | 1 |
| RING-O (Ref # 92055B) | 92055-1718 | 1 |
| COLLAR (Ref # 92143) | 92143-1600 | 1 |
| SPRING (Ref # 92145) | 92145-1542 | 1 |
| SCREW,SET,58X10 (Ref # 92172) | 92172-0316 | 1 |
| SHIM,20.3X28X0.8 (Ref # 92180) | 92180-0288 | 1 |
| SHIM,20.3X28X0.9 (Ref # 92180A) | 92180-0289 | 1 |
| BOLT-FLANGED-SMALL,8X70 (Ref # 132) | 132BA0870 | 1 |
| BOLT-FLANGED-SMALL,6X20 (Ref # 132A) | 132BD0620 | 1 |
| BOLT-STUD,8X30 (Ref # 172) | 172BA0830 | 1 |
| SHIM,20.3X28X1.0 (Ref # 92180B) | 92180-0290 | 1 |
| SHIM,20.3X28X1.2 (Ref # 92180C) | 92180-0291 | 1 |