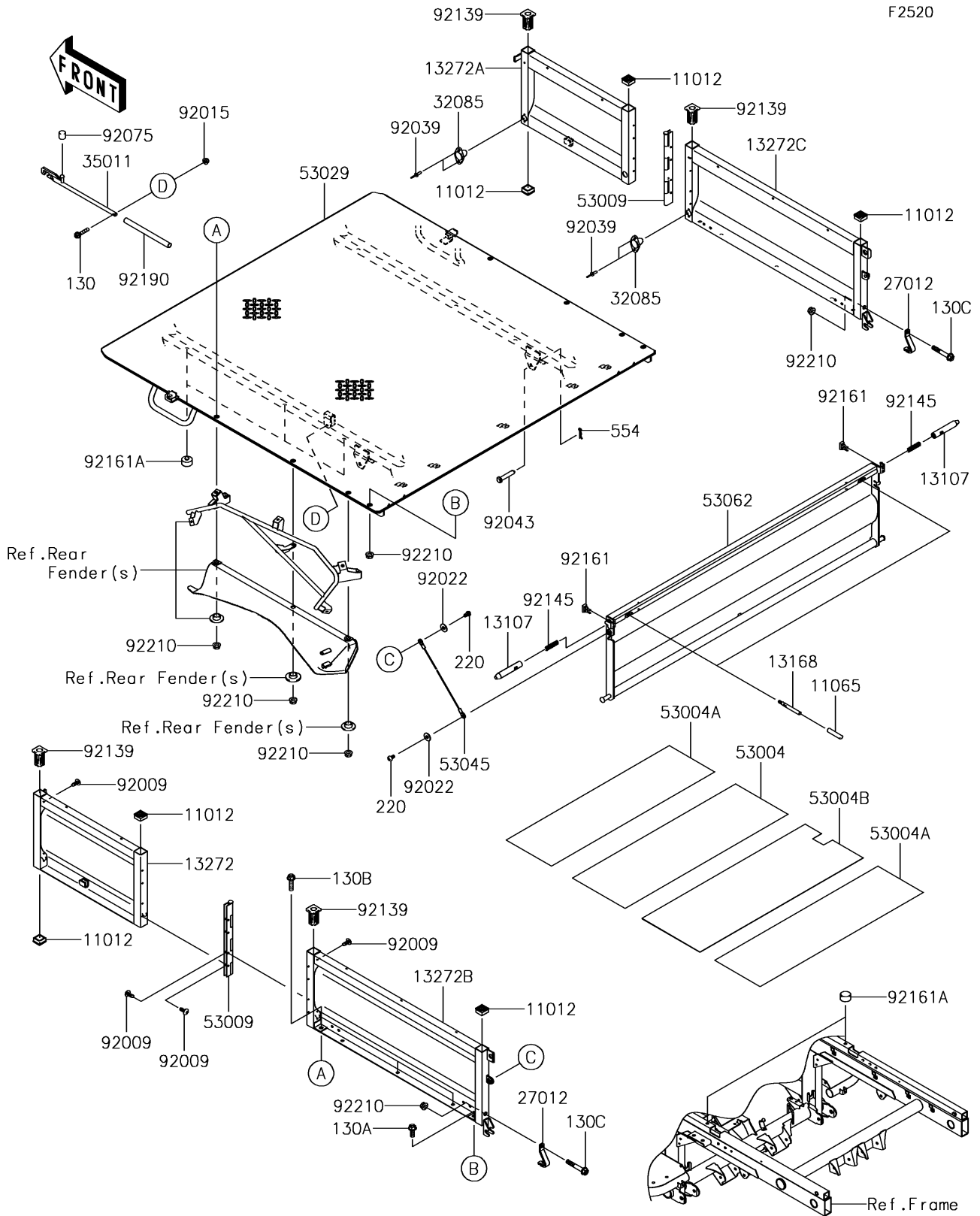


2018 MULE™ 4010 Trans4x4® FT PARTS DIAGRAM

Carrier(s)



2018 MULE™ 4010 Trans4x4® FT PARTS LIST

Carrier(s)

ITEM NAME	PART NUMBER	QUANTITY
CAP (Ref # 11012)	11012-1784	1
CAP (Ref # 11065)	11065-0126	1
BOLT-FLANGED,6X30 (Ref # 130)	130BA0630	1
BOLT-FLANGED,8X20 (Ref # 130A)	130BB0820	1
BOLT-FLANGED,8X30 (Ref # 130B)	130BB0830	1
BOLT-FLANGED,8X50 (Ref # 130C)	130BB0850	1
SHAFT (Ref # 13107)	13107-0082	1
LEVER (Ref # 13168)	13168-0090	1
PLATE,SIDE,FR,LH,BLACK (Ref # 13272)	13272-0501-10	1
PLATE,SIDE,FR,RH,BLACK (Ref # 13272A)	13272-0502-10	1
PLATE,SIDE,RR,LH,BLACK (Ref # 13272B)	13272-1233-10	1
PLATE,SIDE,RR,RH,BLACK (Ref # 13272C)	13272-1234-10	1
SCREW-PAN-CROS,6X10 (Ref # 220)	220AB0610	1
HOOK,TAIL GATE (Ref # 27012)	27012-0022	1
STOPPER (Ref # 32085)	32085-7501	1
STAY,CARRIER STOPPER (Ref # 35011)	35011-1648	1
MAT,CARRIER (Ref # 53004)	53004-0031	1
MAT,CARRIER (Ref # 53004A)	53004-0032	1
MAT (Ref # 53004B)	53004-7501	1
HINGE,CARRIER (Ref # 53009)	53009-7501	1
CARRIER,BASE PLATE,BLACK (Ref # 53029)	53029-0313-10	1
HOOK-ASSY,TAIL GATE (Ref # 53045)	53045-0031	1
GATE-TAIL,BLACK (Ref # 53062)	53062-7503-10	1
PIN-SNAP,12MM (Ref # 554)	554DA1200	1
SCREW,TAPPING,6X16 (Ref # 92009)	92009-1166	1
NUT,LOCK,FLANGED,6MM (Ref # 92015)	92015-1675	1
WASHER,7X18X1.2 (Ref # 92022)	92022-1545	1
RIVET (Ref # 92039)	92039-1150	1
PIN,12X65 (Ref # 92043)	92043-1428	1

2018 MULE™ 4010 Trans4x4® FT PARTS LIST

Carrier(s)

ITEM NAME	PART NUMBER	QUANTITY
DAMPER (Ref # 92075)	92075-1817	1
BUSHING,REAR SCREEN (Ref # 92139)	92139-7501	1
SPRING,TENSIONER (Ref # 92145)	92145-1215	1
DAMPER (Ref # 92161)	92161-0258	1
DAMPER (Ref # 92161A)	92161-7510	1
TUBE,13X16X200 (Ref # 92190)	92190-1401	1
NUT,FLANGED,8MM (Ref # 92210)	92210-0555	1