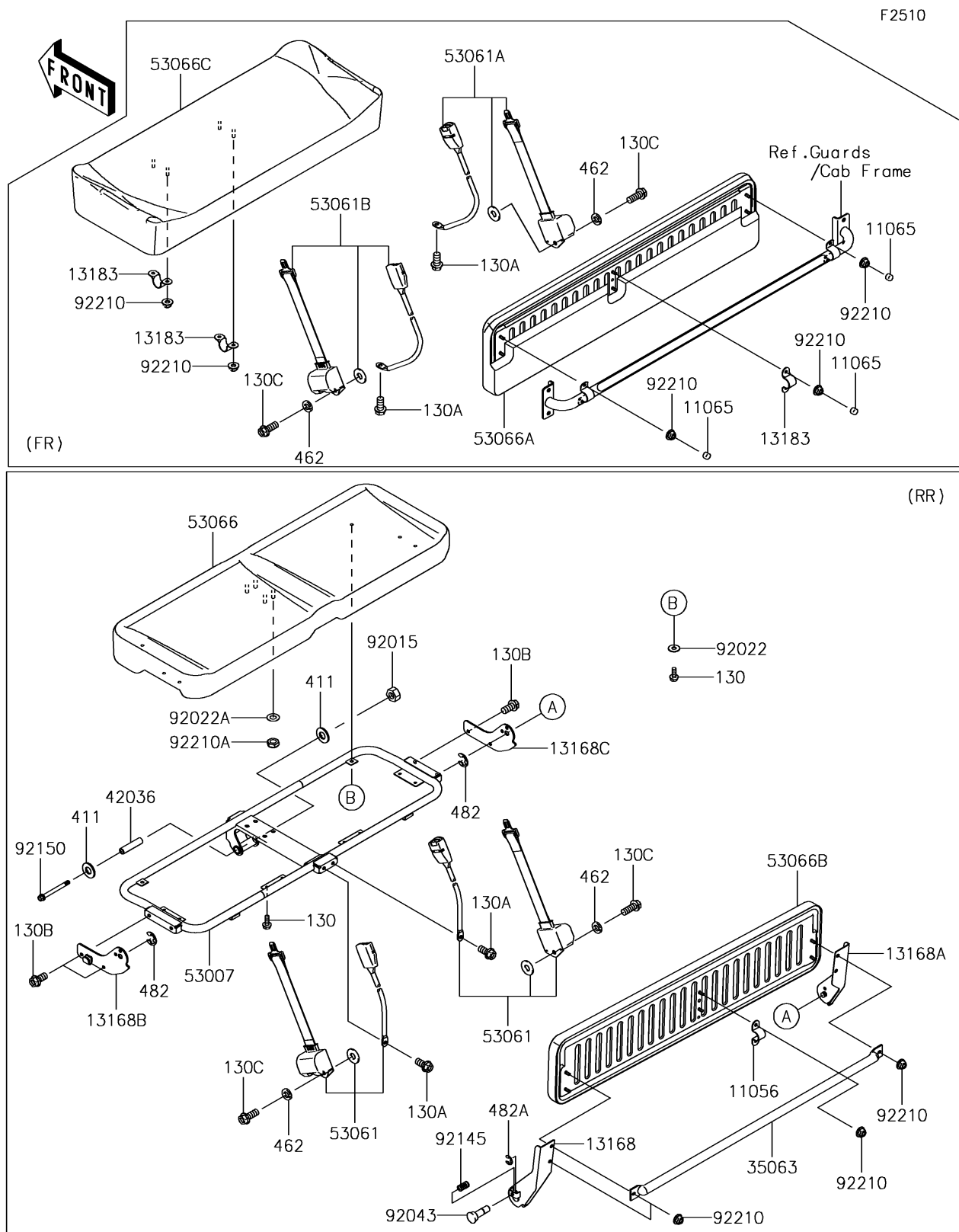


## 2018 MULE™ 4010 Trans4x4® FT PARTS DIAGRAM

Seat



## 2018 MULE™ 4010 Trans4x4® FT PARTS LIST

Seat

ITEM NAME	PART NUMBER	QUANTITY
BRACKET,SEAT BACK (Ref # 11056)	11056-0034	1
CAP (Ref # 11065)	11065-7504	1
BOLT-FLANGED,6X16 (Ref # 130)	130BA0616	1
BOLT-FLANGED,12X20 (Ref # 130A)	130BA1220	1
BOLT-FLANGED,10X20 (Ref # 130B)	130BB1020	1
BOLT-FLANGED,12X25 (Ref # 130C)	130BB1225	1
LEVER,SEAT,TOP,LH (Ref # 13168)	13168-7502	1
LEVER,SEAT,TOP,RH (Ref # 13168A)	13168-7503	1
LEVER,SEAT,LWR,LH (Ref # 13168B)	13168-7504	1
LEVER,SEAT,LWR,RH (Ref # 13168C)	13168-7505	1
PLATE,SEAT (Ref # 13183)	13183-1400	1
STAY,REAR BACK (Ref # 35063)	35063-7510	1
WASHER-PLAIN (Ref # 411)	411AB1200	1
SLEEVE,12.1X20X85 (Ref # 42036)	42036-7501	1
WASHER-SPRING,12MM (Ref # 462)	462DB1200	1
CIRCLIP-TYPE-E,12MM (Ref # 482)	482EA0200	1
CIRCLIP-TYPE-E,8MM (Ref # 482A)	482EA8000	1
FRAME-SEAT (Ref # 53007)	53007-0327	1
BELT-SEAT,RR (Ref # 53061)	53061-0354	1
BELT-SEAT,FR,RH (Ref # 53061A)	53061-0355	1
BELT-SEAT,FR,LH (Ref # 53061B)	53061-0356	1
SEAT-ASSY,RR,LWR,BLACK (Ref # 53066)	53066-0237-MA	1
SEAT-ASSY,FR,BACK,BLACK (Ref # 53066A)	53066-0258-MA	1
SEAT-ASSY,RR,BACK,BLACK (Ref # 53066B)	53066-0259-MA	1
SEAT-ASSY,FR,LWR,BLACK (Ref # 53066C)	53066-0274-MA	1
NUT,LOCK,12MM,BLACK (Ref # 92015)	92015-1190	1
WASHER,7X18X1.2 (Ref # 92022)	92022-1545	1
WASHER,10.5X20X1 (Ref # 92022A)	92022-239	1
PIN (Ref # 92043)	92043-7503	1

## 2018 MULE™ 4010 Trans4x4® FT PARTS LIST

Seat

ITEM NAME	PART NUMBER	QUANTITY
SPRING (Ref # 92145)	92145-7507	1
BOLT,FLANGED,12X117 (Ref # 92150)	92150-1895	1
NUT,FLANGED,LOCK,8MM (Ref # 92210)	92210-0005	1
NUT,LOCK,10MM (Ref # 92210A)	92210-0278	1