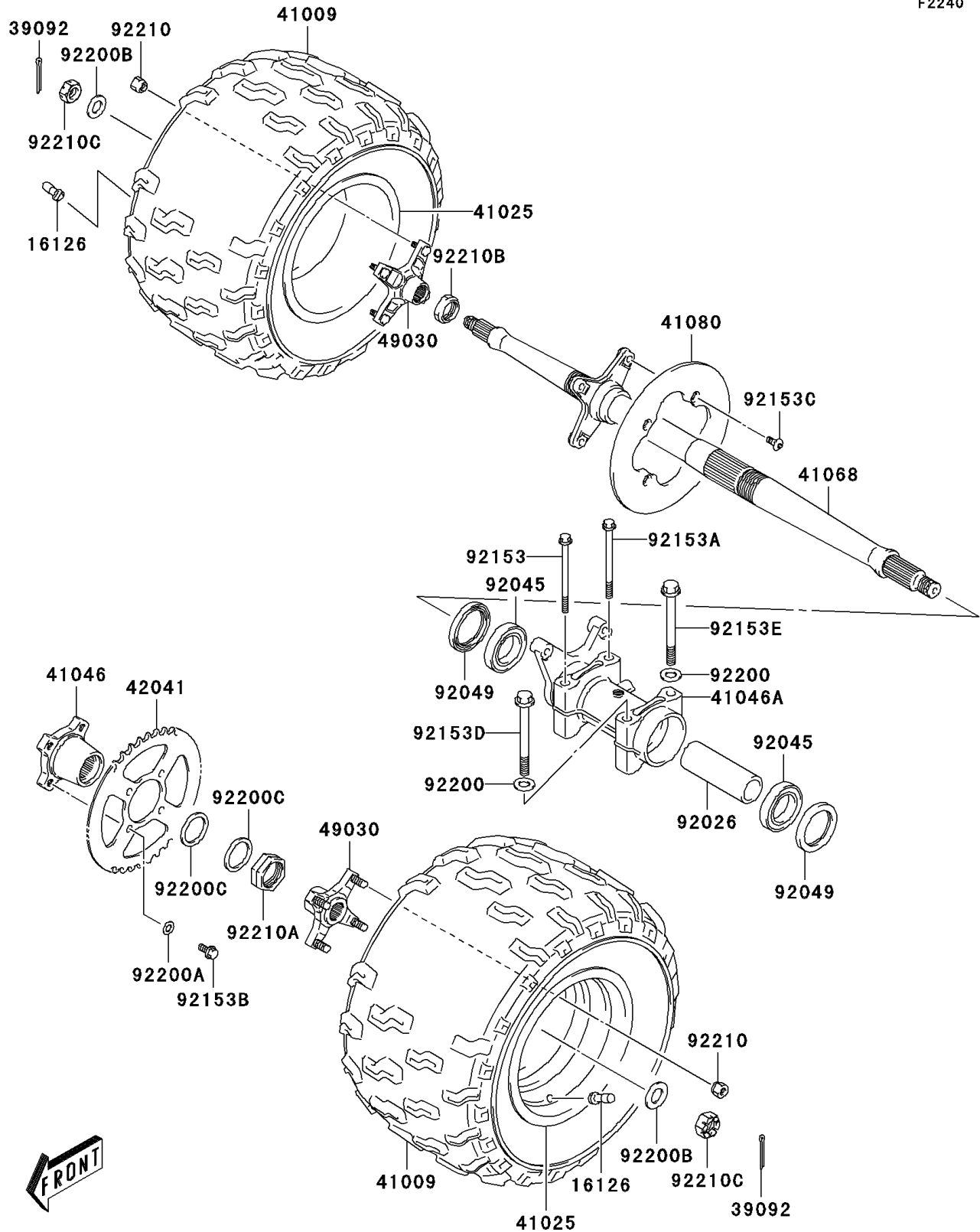


2003 KFX®400 PARTS DIAGRAM

Rear Hub(A1)

F2240



2003 KFX®400 PARTS LIST

Rear Hub(A1)

| ITEM NAME | PART NUMBER | QUANTITY |
|--------------------------------------|----------------|----------|
| VALVE,WHEEL RIM,TR412 (Ref # 16126) | 16126-S002 | 1 |
| PIN-HAIR,REAR HUB (Ref # 39092) | 39092-S010 | 1 |
| TIRE,RR (Ref # 41009) | 41009-S013 | 1 |
| RIM,REAR WHEEL,9X8.0AT (Ref # 41025) | 41025-S009 | 1 |
| HOUSING-BEARING (Ref # 41046) | 41046-S004 | 1 |
| HOUSING-BEARING (Ref # 41046A) | 41046-S005 | 1 |
| AXLE,RR (Ref # 41068) | 41068-S011 | 1 |
| DISC,REAR BRAKE (Ref # 41080) | 41080-S006 | 1 |
| SPROCKET-HUB (Ref # 42041) | 42041-S006 | 1 |
| HUB,RR,F.GRAY (Ref # 49030) | 49030-S004-563 | 1 |
| SPACER,REAR AXLE (Ref # 92026) | 92026-S106 | 1 |
| BEARING-BALL,REAR AXLE (Ref # 92045) | 92045-S049 | 1 |
| SEAL-OIL,AXLE (Ref # 92049) | 92049-S052 | 1 |
| BOLT,REAR AXLE (Ref # 92153) | 92153-S268 | 1 |
| BOLT,REAR AXLE (Ref # 92153A) | 92153-S274 | 1 |
| BOLT,REAR SPROCKET (Ref # 92153B) | 92153-S277 | 1 |
| BOLT (Ref # 92153C) | 92153-S283 | 1 |
| BOLT,REAR AXLE (Ref # 92153D) | 92153-S368 | 1 |
| BOLT,REAR AXLE (Ref # 92153E) | 92153-S369 | 1 |
| WASHER,AXLE (Ref # 92200) | 92200-S138 | 1 |
| WASHER,REAR SPROCKET (Ref # 92200A) | 92200-S139 | 1 |
| WASHER,REAR HUB (Ref # 92200B) | 92200-S141 | 1 |
| WASHER,REAR AXLE (Ref # 92200C) | 92200-S143 | 1 |
| NUT,WHEEL (Ref # 92210) | 92210-S100 | 1 |
| NUT,REAR AXLE (Ref # 92210A) | 92210-S109 | 1 |
| NUT,REAR AXLE (Ref # 92210B) | 92210-S110 | 1 |
| NUT,REAR HUB (Ref # 92210C) | 92210-S113 | 1 |