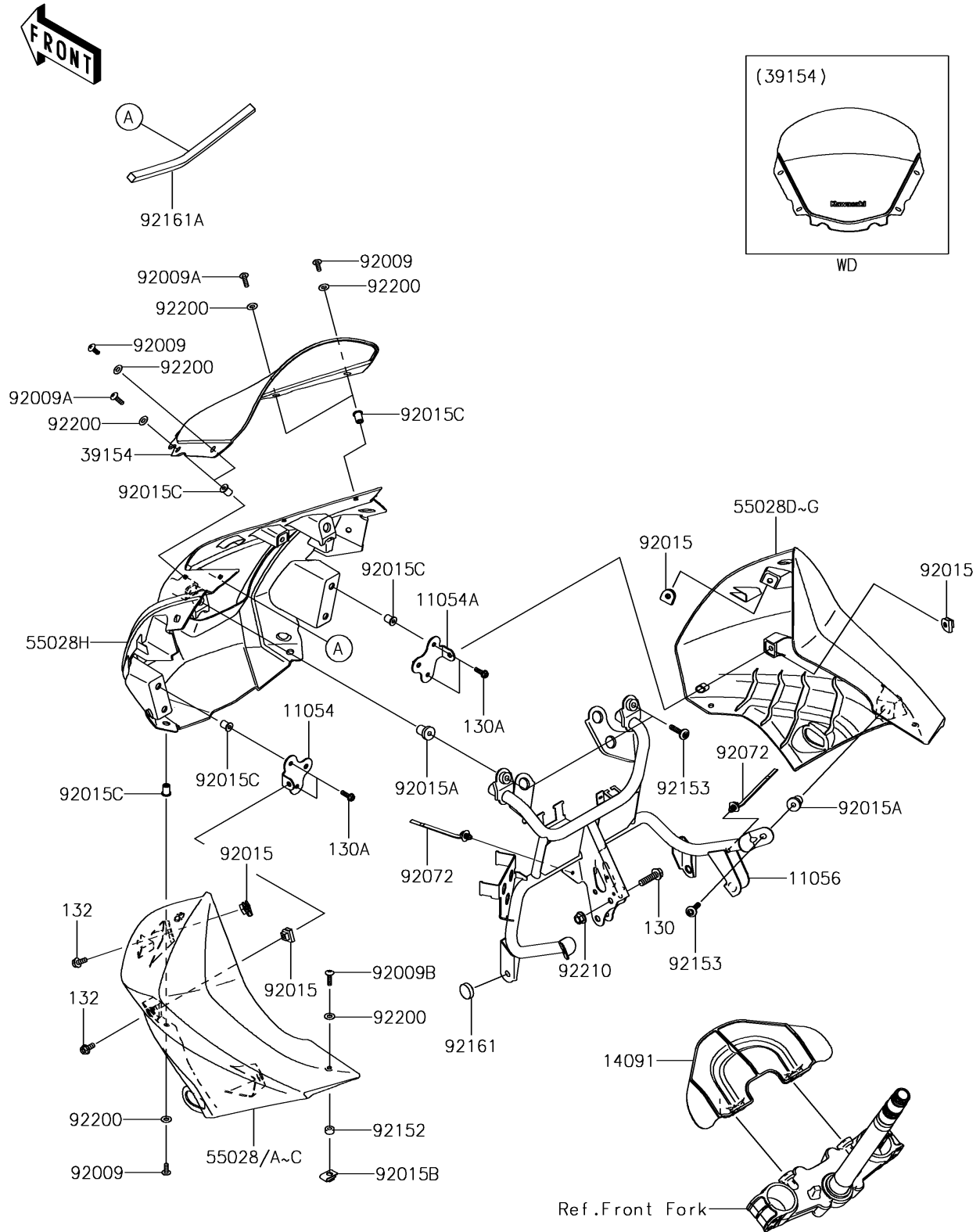


## 2018 KLR™650 PARTS DIAGRAM

Cowling

F2871



## 2018 KLR™650 PARTS LIST

### Cowling

| ITEM NAME                                | PART NUMBER    | QUANTITY |
|--|----------------|----------|
| BRACKET,UPP COWLING,LH (Ref # 11054)     | 11054-0457     | 1        |
| BRACKET,UPP COWLING,RH (Ref # 11054A)    | 11054-0458     | 1        |
| BRACKET,UPP COWLING (Ref # 11056)        | 11056-0188     | 1        |
| BOLT-FLANGED,8X30 (Ref # 130)            | 130BA0830      | 1        |
| BOLT-FLANGED,5X16 (Ref # 130A)           | 130BB0516      | 1        |
| BOLT-FLANGED-SMALL,6X14 (Ref # 132)      | 132BB0614      | 1        |
| COVER,SOUNDPROOF (Ref # 14091)           | 14091-0658     | 1        |
| WINDSHIELD (Ref # 39154)                 | 39154-5036     | 1        |
| COWLING,UPP,LH,P.S.YELLOW (Ref # 55028)  | 55028-0111-10A | 1        |
| COWLING,UPP,LH,M.S.BLACK (Ref # 55028C)  | 55028-0111-660 | 1        |
| COWLING,UPP,RH,P.S.YELLOW (Ref # 55028D) | 55028-0112-10A | 1        |
| COWLING,UPP,RH,M.S.BLACK (Ref # 55028G)  | 55028-0112-660 | 1        |
| COWLING,UPP,CNT,F.BLACK (Ref # 55028H)   | 55028-0201-21  | 1        |
| SCREW,5X14 (Ref # 92009)                 | 92009-1653     | 1        |
| SCREW,5X18 (Ref # 92009A)                | 92009-1655     | 1        |
| SCREW,5X20,BLACK (Ref # 92009B)          | 92009-1656     | 1        |
| NUT,6MM (Ref # 92015)                    | 92015-1602     | 1        |
| NUT,RUBBER,6MM (Ref # 92015A)            | 92015-1692     | 1        |
| NUT,5MM (Ref # 92015B)                   | 92015-1710     | 1        |
| NUT,WELL,5MM (Ref # 92015C)              | 92015-1757     | 1        |
| BAND,OS170-FT7(BLACK) (Ref # 92072)      | 92072-1414     | 1        |
| COLLAR,5.6X12X5.7 (Ref # 92152)          | 92152-0618     | 1        |
| BOLT,SOCKET,6X30 (Ref # 92153)           | 92153-1528     | 1        |
| DAMPER (Ref # 92161)                     | 92161-0336     | 1        |
| DAMPER,UPP COWLING (Ref # 92161A)        | 92161-0536     | 1        |
| WASHER,NYLON,5.3X11.5X0.5 (Ref # 92200)  | 92200-1480     | 1        |
| NUT,FLANGED,8MM (Ref # 92210)            | 92210-0304     | 1        |