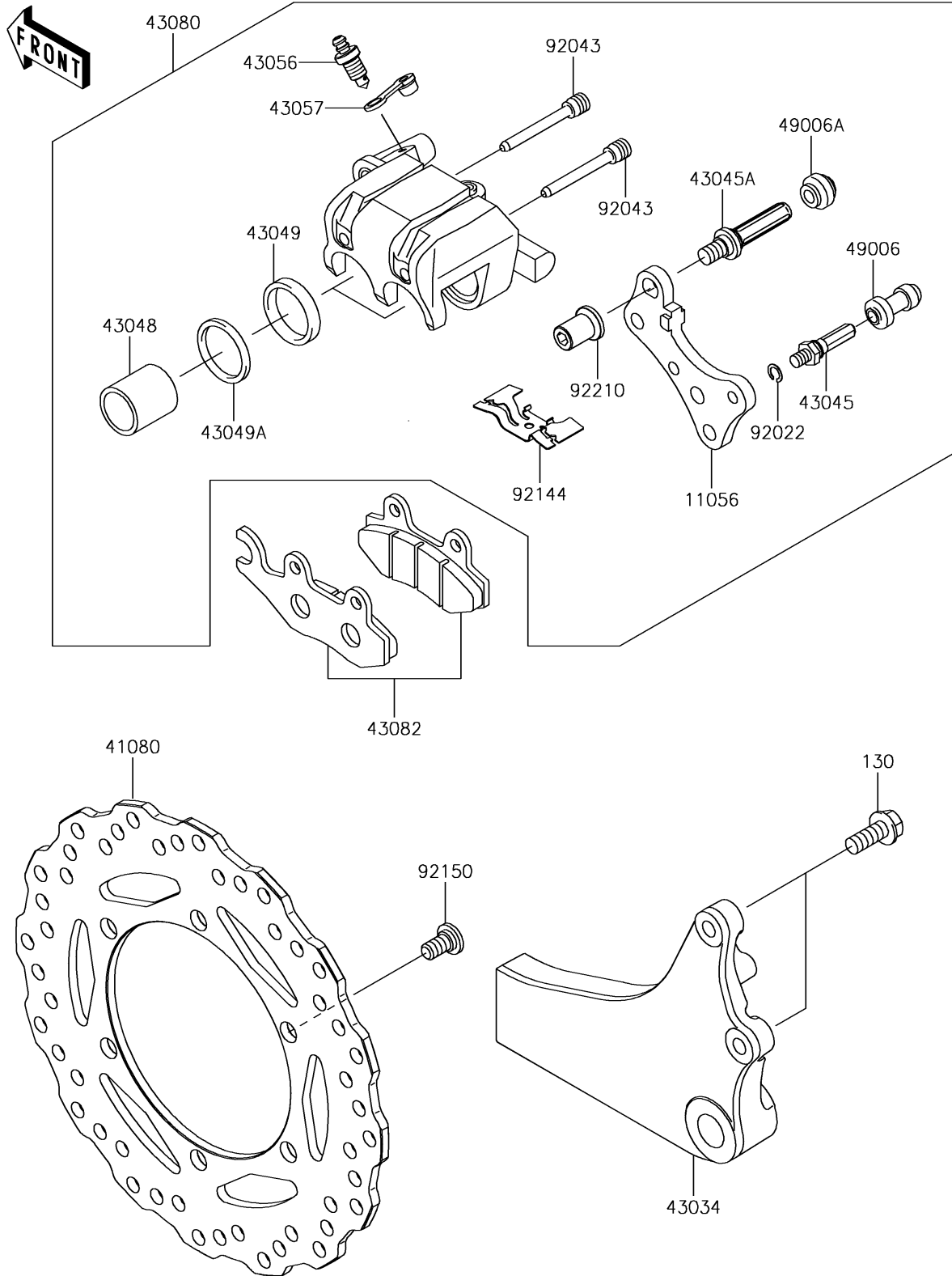


2018 KLR™650 PARTS DIAGRAM

Rear Brake

F2294



2018 KLR™650 PARTS LIST

Rear Brake

| ITEM NAME | PART NUMBER | QUANTITY |
|---|----------------|----------|
| BRACKET,CALIPER (Ref # 11056) | 11056-0202 | 1 |
| BOLT-FLANGED,8X20 (Ref # 130) | 130BA0820 | 1 |
| DISC,RR,BLACK (Ref # 41080) | 41080-0100-11H | 1 |
| HOLDER-BRAKE,REAR CALIPER (Ref # 43034) | 43034-0030 | 1 |
| SHAFT-CALIPER (Ref # 43045) | 43045-0004 | 1 |
| SHAFT-CALIPER (Ref # 43045A) | 43045-1010 | 1 |
| PISTON-CALIPER (Ref # 43048) | 43048-1066 | 1 |
| PACKING (Ref # 43049) | 43049-1063 | 1 |
| PACKING (Ref # 43049A) | 43049-1064 | 1 |
| BREATHER (Ref # 43056) | 43056-1055 | 1 |
| CAP-BREATHER (Ref # 43057) | 43057-1001 | 1 |
| CALIPER-SUB-ASSY,RR,BLACK (Ref # 43080) | 43080-0096-25S | 1 |
| PAD-ASSY-BRAKE (Ref # 43082) | 43082-0080 | 1 |
| BOOT,CALIPER (Ref # 49006) | 49006-1088 | 1 |
| BOOT,CALIPER (Ref # 49006A) | 49006-1242 | 1 |
| WASHER,WAVE (Ref # 92022) | 92022-1373 | 1 |
| PIN,HANGER (Ref # 92043) | 92043-1416 | 1 |
| SPRING,PAD (Ref # 92144) | 92144-1847 | 1 |
| BOLT,8X15 (Ref # 92150) | 92150-1852 | 1 |
| NUT (Ref # 92210) | 92210-0615 | 1 |