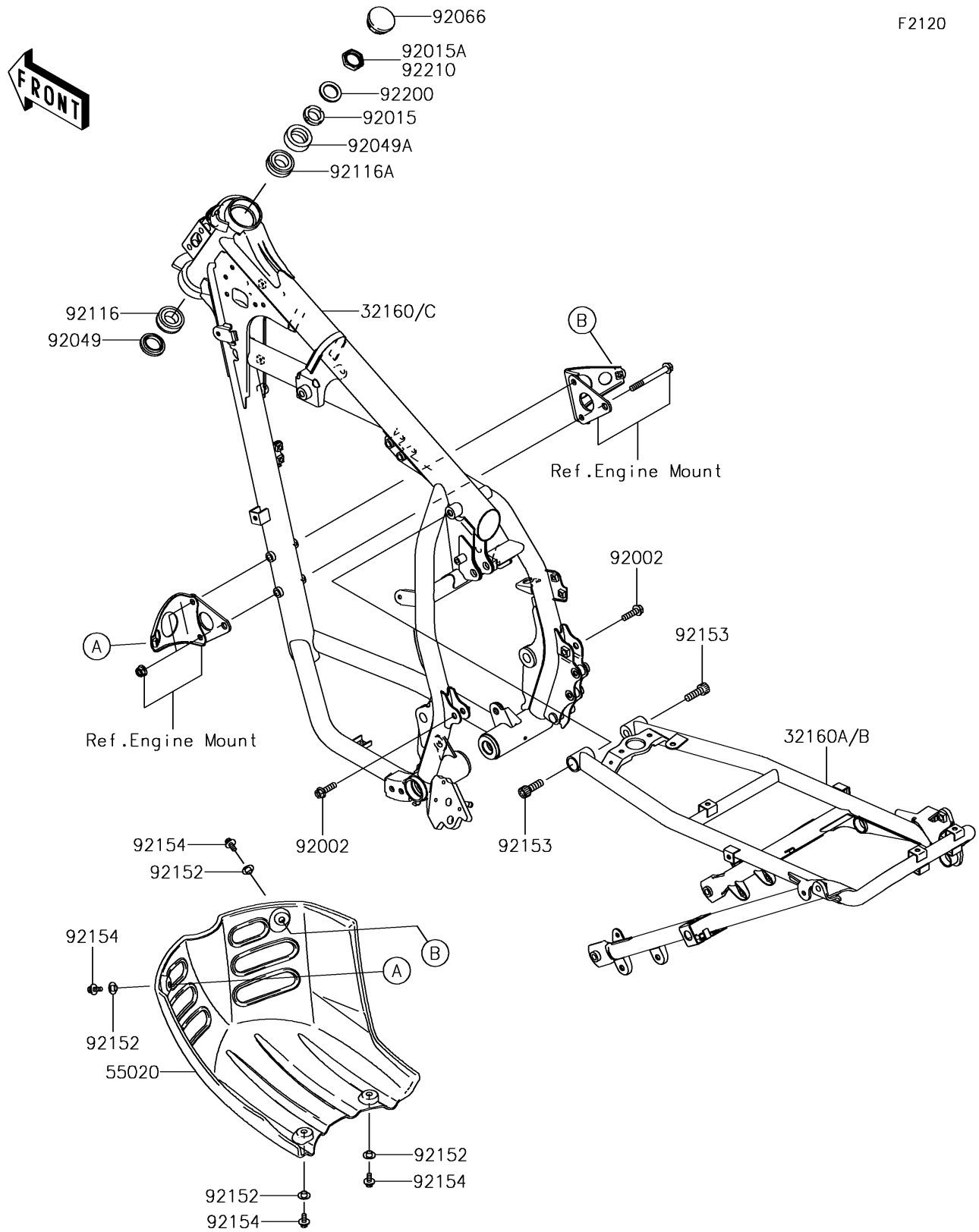


2018 KLR™650 PARTS DIAGRAM

Frame

F2120



2018 KLR™650 PARTS LIST

Frame

| ITEM NAME | PART NUMBER | QUANTITY |
|---|----------------|----------|
| FRAME-COMP,RR,F.S.BLACK (Ref # 32160B) | 32160-0497-18R | 1 |
| FRAME-COMP,MAIN,F.S.BLACK (Ref # 32160C) | 32160-0499-18R | 1 |
| GUARD,ENGINE,F.BLACK (Ref # 55020) | 55020-0235-6Z | 1 |
| BOLT,FLANGED,8X28 (Ref # 92002) | 92002-1971 | 1 |
| NUT,25MM,T=12 (Ref # 92015) | 92015-1546 | 1 |
| SEAL-OIL,XMHE36X52X4J (Ref # 92049) | 92049-1162 | 1 |
| SEAL-OIL,STEERING STEM (Ref # 92049A) | 92049-1214 | 1 |
| PLUG (Ref # 92066) | 92066-1306 | 1 |
| BEARING-ROLLER,HR320/28XJ (Ref # 92116) | 92116-1009 | 1 |
| BEARING-ROLLER,HICAP 32005JR (Ref # 92116A) | 92116-1052 | 1 |
| COLLAR (Ref # 92152) | 92152-0427 | 1 |
| BOLT,SOCKET,10X30 (Ref # 92153) | 92153-1524 | 1 |
| BOLT,6X16 (Ref # 92154) | 92154-0391 | 1 |
| WASHER,STEERING STEM (Ref # 92200) | 92200-0517 | 1 |
| NUT,STEERING STEM,22MM (Ref # 92210) | 92210-1521 | 1 |