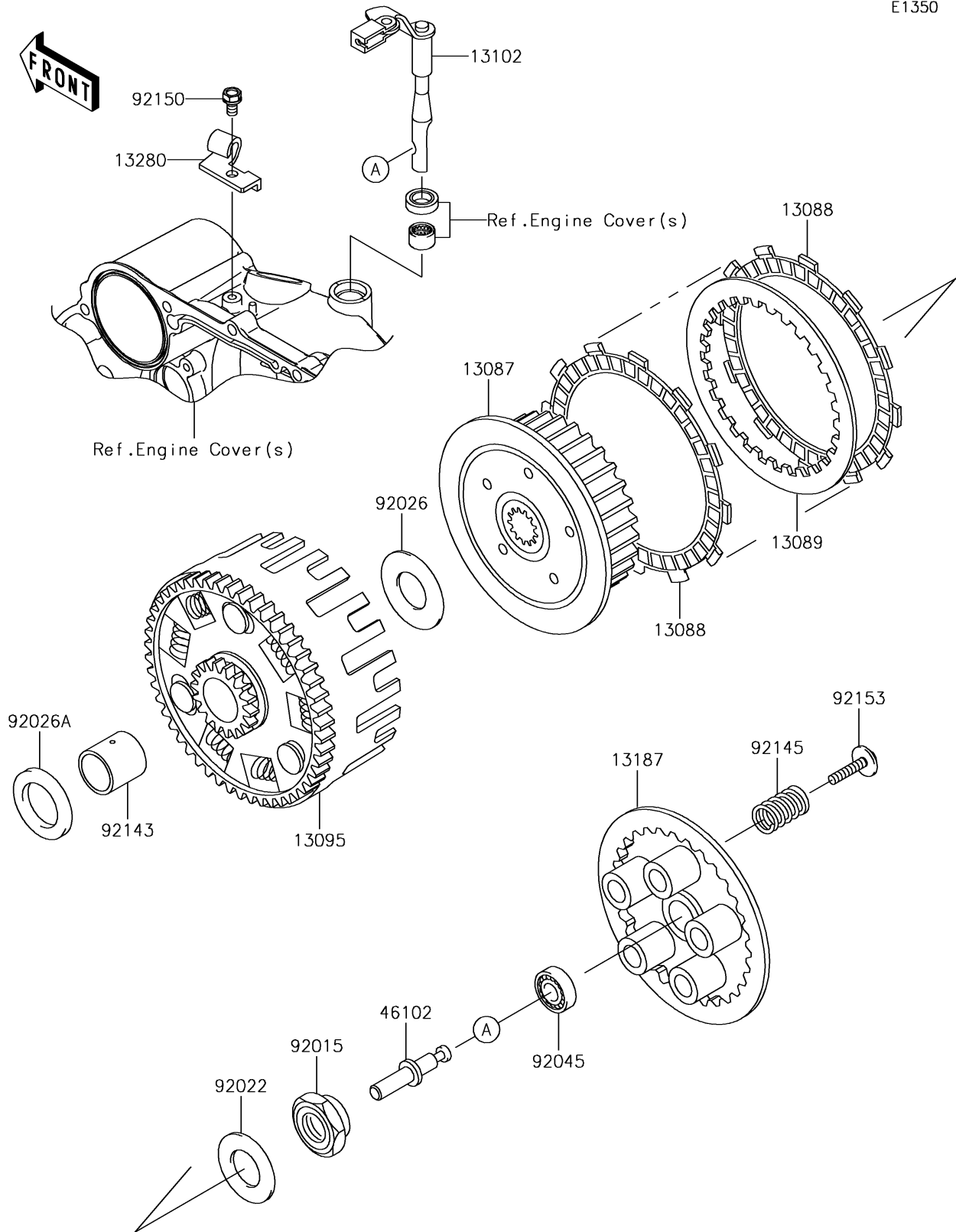


## 2018 KLR™650 PARTS DIAGRAM

Clutch

E1350



## 2018 KLR™650 PARTS LIST

### Clutch

ITEM NAME	PART NUMBER	QUANTITY
HUB-CLUTCH (Ref # 13087)	13087-0046	1
PLATE-FRICTION (Ref # 13088)	13088-0023	1
PLATE-CLUTCH,T=2.3 (Ref # 13089)	13089-0016	1
HOUSING-COMP-CLUTCH (Ref # 13095)	13095-0129	1
RELEASE-COMP-CLUTCH (Ref # 13102)	13102-0039	1
PLATE-CLUTCH OPERATING (Ref # 13187)	13187-0020	1
HOLDER (Ref # 13280)	13280-0379	1
ROD (Ref # 46102)	46102-0114	1
NUT,20MM (Ref # 92015)	92015-1555	1
WASHER,20.3X36X3.7 (Ref # 92022)	92022-1868	1
SPACER,25.5X48X2 (Ref # 92026)	92026-0114	1
SPACER,25.1X38X4 (Ref # 92026A)	92026-0154	1
BEARING-BALL (Ref # 92045)	92045-1408	1
COLLAR (Ref # 92143)	92143-1769	1
SPRING,CLUTCH (Ref # 92145)	92145-0796	1
BOLT,6X12 (Ref # 92150)	92150-1965	1
BOLT,UPSET-WP,6X32 (Ref # 92153)	92153-1880	1