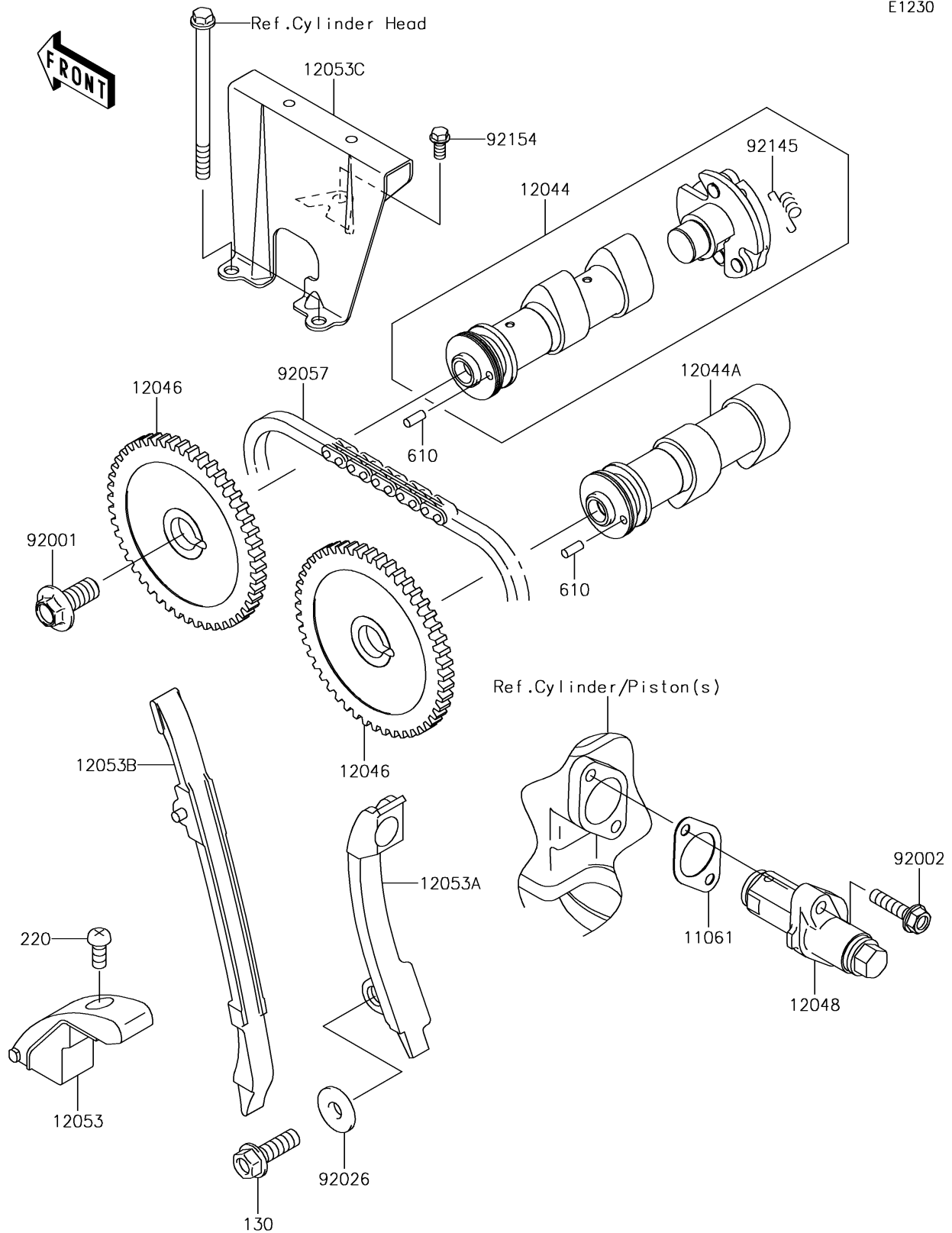


2018 KLR™650 PARTS DIAGRAM

Camshaft(s)/Tensioner

E1230



2018 KLR™650 PARTS LIST

Camshaft(s)/Tensioner

ITEM NAME	PART NUMBER	QUANTITY
GASKET,TENSIONER (Ref # 11061)	11061-0427	1
CAMSHAFT-VALVE,EXHAUST (Ref # 12044)	12044-0166	1
CAMSHAFT-VALVE,INTAKE (Ref # 12044A)	12044-0741	1
SPROCKET,48T (Ref # 12046)	12046-1160	1
TENSIONER-ASSY,CAM CHAIN (Ref # 12048)	12048-1141	1
GUIDE-CHAIN,LWR (Ref # 12053)	12053-1134	1
GUIDE-CHAIN,RR (Ref # 12053A)	12053-1222	1
GUIDE-CHAIN,FR (Ref # 12053B)	12053-1223	1
GUIDE-CHAIN,UPP (Ref # 12053C)	12053-1353	1
BOLT-FLANGED,8X25 (Ref # 130)	130BA0825	1
SCREW-PAN-CROS,6X14 (Ref # 220)	220AA0614	1
ROLLER,4X10 (Ref # 610)	610A0410	1
BOLT,10X23 (Ref # 92001)	92001-1859	1
BOLT,FLANGED,6X25 (Ref # 92002)	92002-1086	1
SPACER (Ref # 92026)	92026-1146	1
CHAIN,CAM,92RH2015 (Ref # 92057)	92057-0671	1
SPRING,DECOMPRESSOR (Ref # 92145)	92145-0612	1
BOLT,FLANGED,6X12 (Ref # 92154)	92154-0358	1