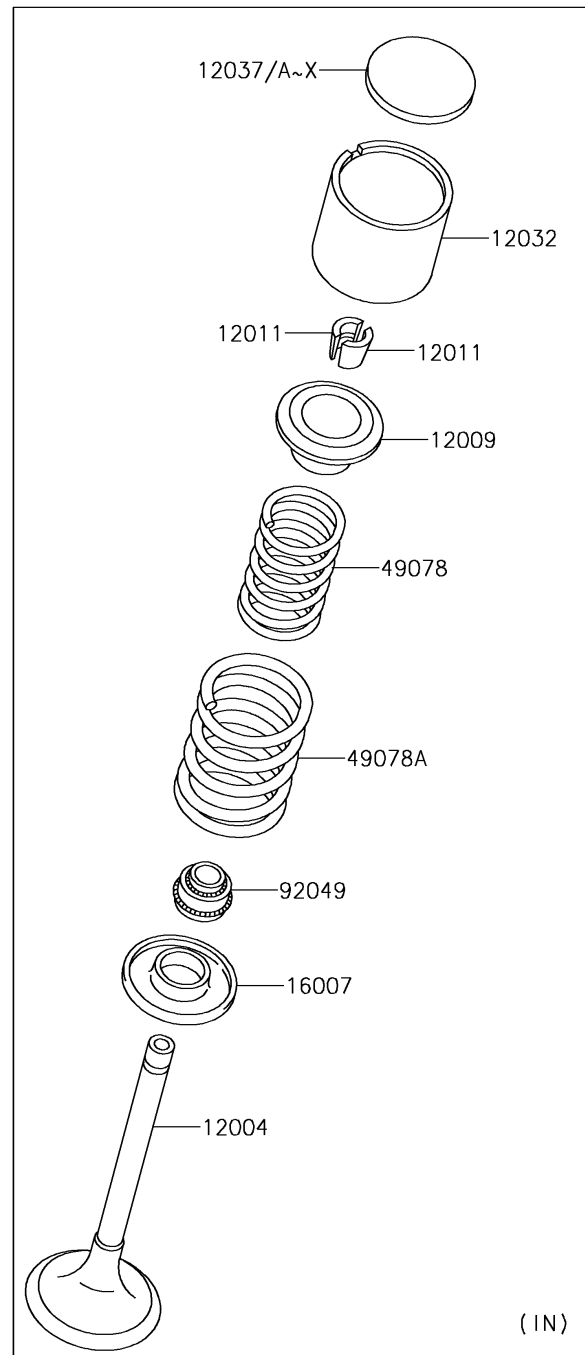
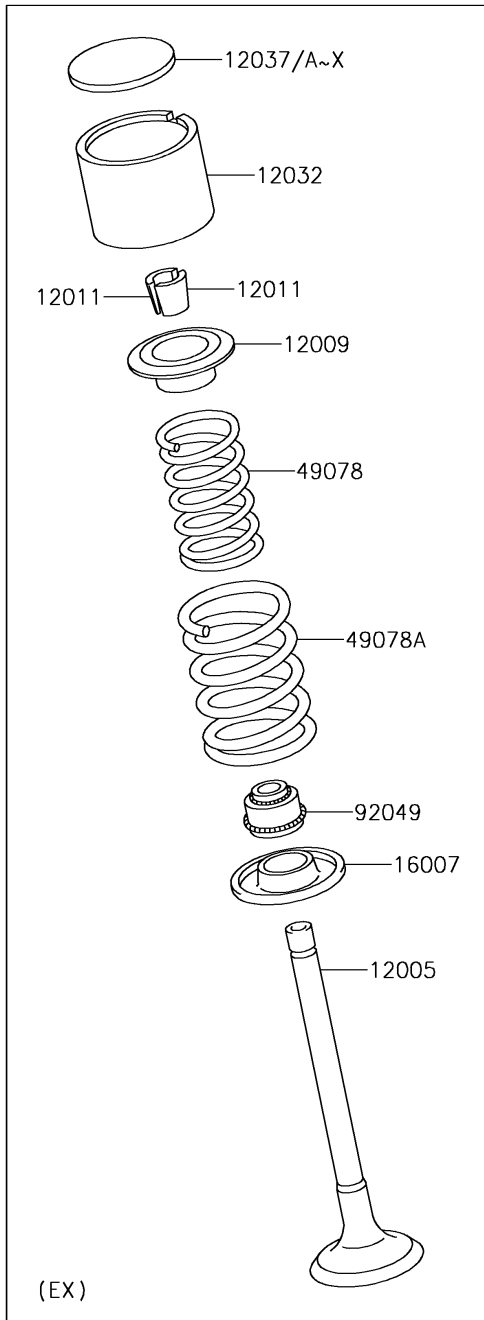


## 2018 KLR™650 PARTS DIAGRAM

Valve(s)

E1210



## 2018 KLR™650 PARTS LIST

Valve(s)

ITEM NAME	PART NUMBER	QUANTITY
VALVE-INTAKE (Ref # 12004)	12004-0727	1
VALVE-EXHAUST (Ref # 12005)	12005-0740	1
RETAINER-VALVE SPRING (Ref # 12009)	12009-005	1
COLLET,RETAINER (Ref # 12011)	12011-004	1
TAPPET (Ref # 12032)	12032-1002	1
SHIM,T=2.00 (Ref # 12037)	12037-001	1
SHIM,T=2.05 (Ref # 12037A)	12037-002	1
SHIM,T=2.10 (Ref # 12037B)	12037-003	1
SHIM,T=2.15 (Ref # 12037C)	12037-004	1
SHIM,T=2.20 (Ref # 12037D)	12037-005	1
SHIM,T=2.25 (Ref # 12037E)	12037-006	1
SHIM,T=2.30 (Ref # 12037F)	12037-007	1
SHIM,T=2.35 (Ref # 12037G)	12037-008	1
SHIM,T=2.40 (Ref # 12037H)	12037-009	1
SHIM,T=2.45 (Ref # 12037I)	12037-010	1
SHIM,T=2.50 (Ref # 12037J)	12037-011	1
SHIM,T=2.55 (Ref # 12037K)	12037-012	1
SHIM,T=2.60 (Ref # 12037L)	12037-013	1
SHIM,T=2.65 (Ref # 12037M)	12037-014	1
SHIM,T=2.70 (Ref # 12037N)	12037-015	1
SHIM,T=2.75 (Ref # 12037O)	12037-016	1
SHIM,T=2.80 (Ref # 12037P)	12037-017	1
SHIM,T=2.85 (Ref # 12037Q)	12037-018	1
SHIM,T=2.90 (Ref # 12037R)	12037-019	1
SHIM,T=2.95 (Ref # 12037S)	12037-020	1
SHIM,T=3.00 (Ref # 12037T)	12037-021	1
SHIM,T=3.05 (Ref # 12037U)	12037-022	1
SHIM,T=3.10 (Ref # 12037V)	12037-023	1
SHIM,T=3.15 (Ref # 12037W)	12037-024	1

## 2018 KLR™650 PARTS LIST

Valve(s)

ITEM NAME	PART NUMBER	QUANTITY
SHIM,T=3.20 (Ref # 12037X)	12037-025	1
SEAT-SPRING,VALVE (Ref # 16007)	16007-1024	1
SPRING-ENGINE VALVE,INNER (Ref # 49078)	49078-1065	1
SPRING-ENGINE VALVE,OUTER (Ref # 49078A)	49078-1066	1
SEAL-OIL,RV37129.5 (Ref # 92049)	92049-016	1