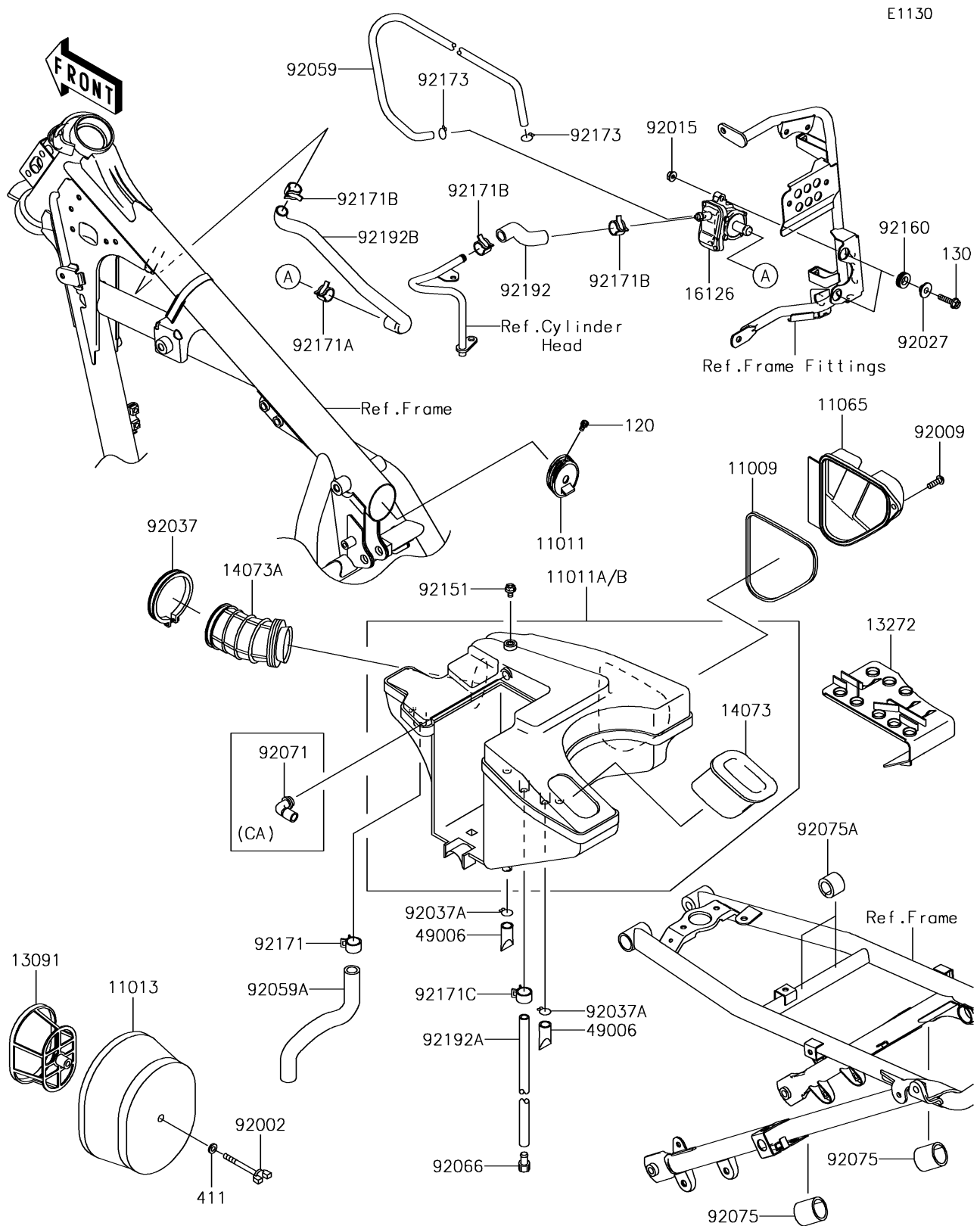


## 2018 KLR™650 PARTS DIAGRAM

Air Cleaner



## 2018 KLR™650 PARTS LIST

Air Cleaner

ITEM NAME	PART NUMBER	QUANTITY
GASKET (Ref # 11009)	11009-1649	1
CASE-AIR FILTER (Ref # 11011)	11011-0095	1
CASE-AIR FILTER (Ref # 11011B)	11011-0160	1
ELEMENT-AIR FILTER (Ref # 11013)	11013-1152	1
CAP,AIR FILTER (Ref # 11065)	11065-1133	1
BOLT-SOCKET,5X8 (Ref # 120)	120CA0508	1
BOLT-FLANGED,6X25 (Ref # 130)	130BA0625	1
HOLDER (Ref # 13091)	13091-1473	1
PLATE (Ref # 13272)	13272-0598	1
DUCT (Ref # 14073)	14073-0119	1
DUCT (Ref # 14073A)	14073-1288	1
VALVE,2ND AIR (Ref # 16126)	16126-0026	1
WASHER-PLAIN,6MM (Ref # 411)	411AA0600	1
BOOT (Ref # 49006)	49006-1211	1
BOLT (Ref # 92002)	92002-1904	1
SCREW (Ref # 92009)	92009-1460	1
NUT,FLANGED,6MM,BLACK (Ref # 92015)	92015-1233	1
COLLAR,L=7.4 (Ref # 92027)	92027-1848	1
CLAMP (Ref # 92037)	92037-1859	1
CLAMP,14.5MM (Ref # 92037A)	92037-1900	1
TUBE,4X9X550,WHITE (Ref # 92059)	92059-1760	1
TUBE (Ref # 92059A)	92059-1774	1
PLUG,DRAIN,8.5X15 (Ref # 92066)	92066-0127	1
GROMMET,AIR FILTER (Ref # 92071)	92071-1147	1
DAMPER,25X31X30 (Ref # 92075)	92075-1906	1
DAMPER,18X27X20 (Ref # 92075A)	92075-1907	1
BOLT,6X10 (Ref # 92151)	92151-1344	1
DAMPER (Ref # 92160)	92160-1278	1
CLAMP (Ref # 92171)	92171-0329	1

## 2018 KLR™650 PARTS LIST

Air Cleaner

ITEM NAME	PART NUMBER	QUANTITY
CLAMP,16MM (Ref # 92171A)	92171-0976	1
CLAMP,15MM (Ref # 92171B)	92171-1600	1
CLAMP,12MM (Ref # 92171C)	92171-1870	1
CLAMP (Ref # 92173)	92173-1190	1
TUBE,ASV-HEAD,YELLOW (Ref # 92192)	92192-0323	1
TUBE,8X12X380 (Ref # 92192A)	92192-0883	1
TUBE,FRAME-ASV,PINK (Ref # 92192B)	92192-0905	1