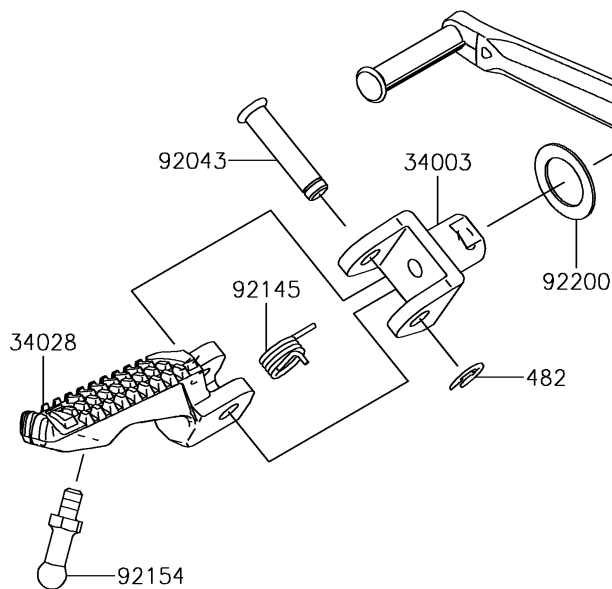
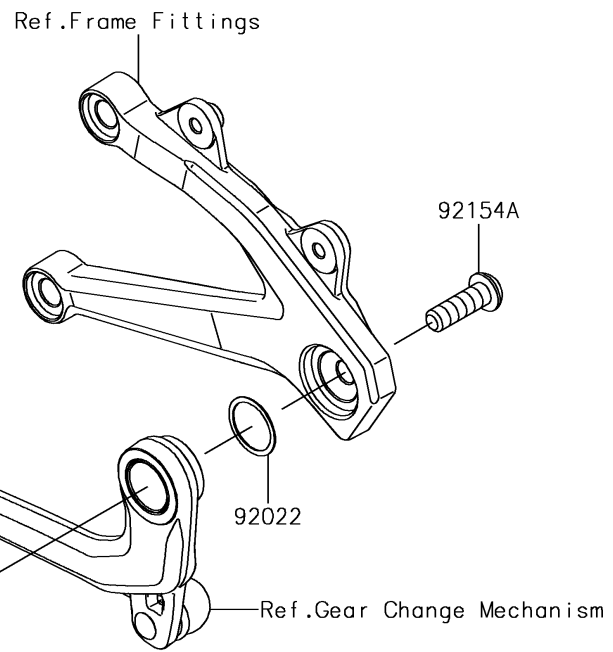
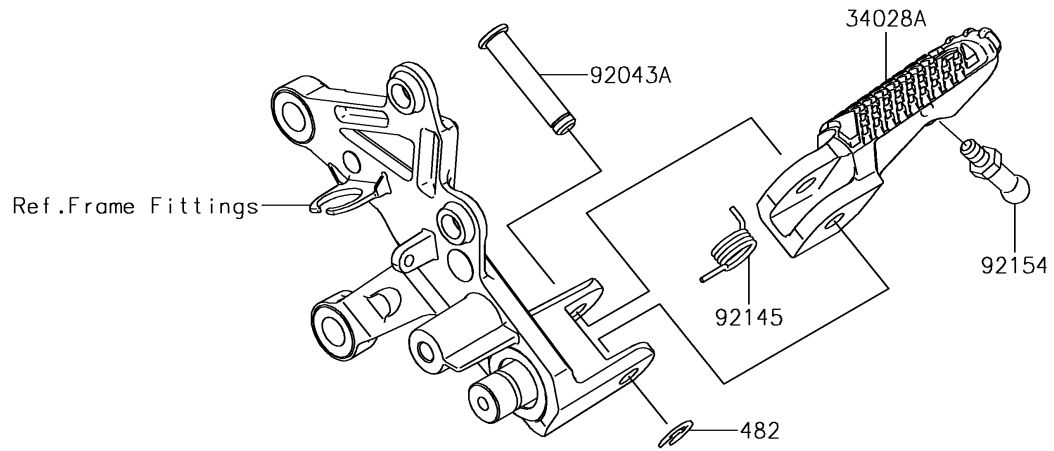


2017 Ninja H2™R PARTS DIAGRAM

Footrests

F2160



2017 Ninja H2™R PARTS LIST

Footrests

ITEM NAME	PART NUMBER	QUANTITY
HOLDER-STEP,LH,GRAY (Ref # 34003)	34003-0161-53G	1
STEP,LH (Ref # 34028)	34028-0342	1
STEP,RH (Ref # 34028A)	34028-0343	1
CIRCLIP-TYPE-E (Ref # 482)	482EB7000	1
WASHER,18.3X22X0.5 (Ref # 92022)	92022-271	1
PIN,8X36.5 (Ref # 92043)	92043-0856	1
PIN,8X40.5 (Ref # 92043A)	92043-0857	1
SPRING,13X1.6 (Ref # 92145)	92145-1656	1
BOLT,BANK SENSOR,6X10 (Ref # 92154)	92154-1718	1
BOLT,SOCKET,8X25 (Ref # 92154A)	92154-1737	1
WASHER,18.3X28X1 (Ref # 92200)	92200-1680	1