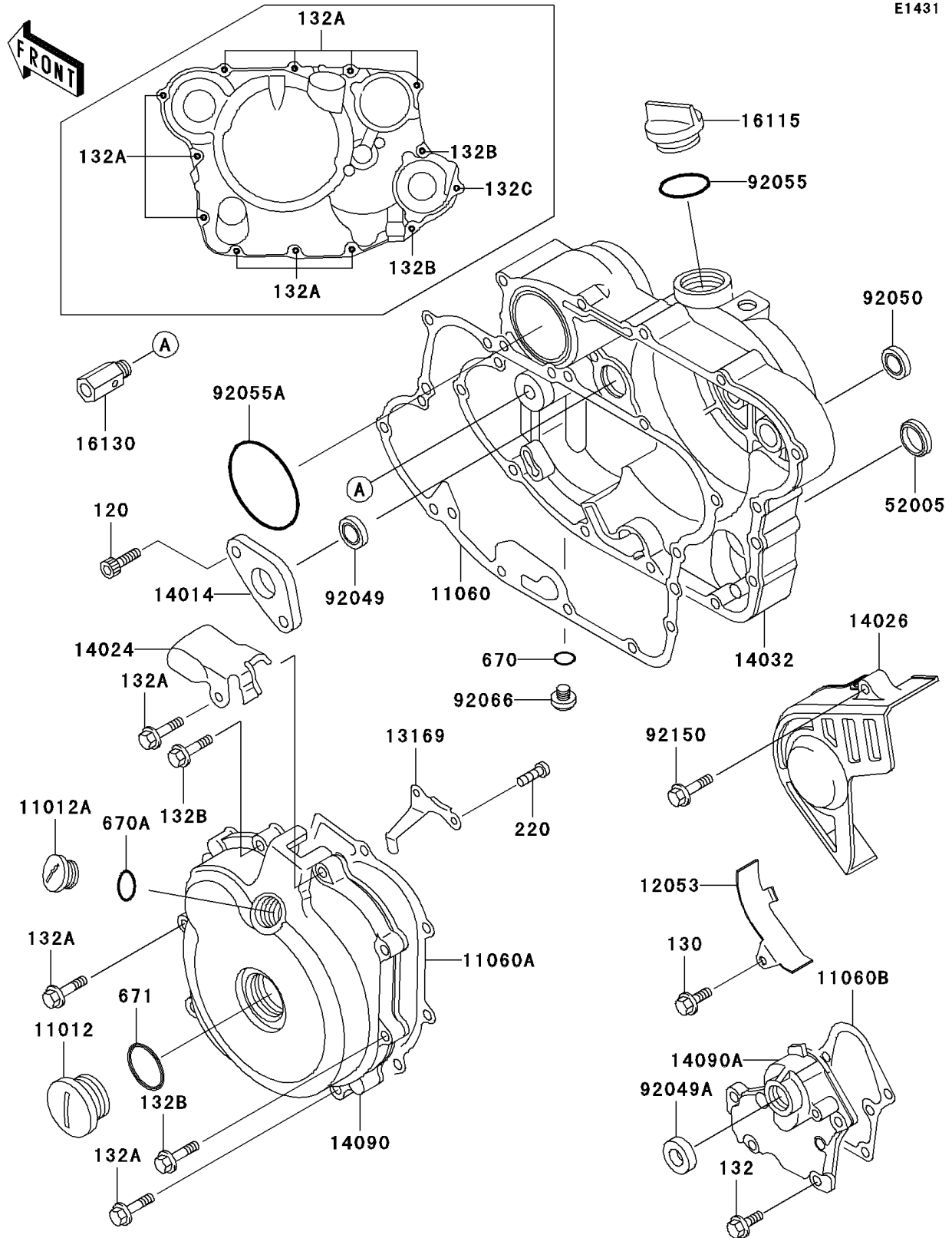


2001 Mojave® 250 PARTS DIAGRAM

Engine Cover(s)

E1431



2001 Mojave® 250 PARTS LIST

Engine Cover(s)

ITEM NAME	PART NUMBER	QUANTITY
BOLT-SOCKET,6X10 (Ref # 120)	120P0610	1
BOLT-FLANGED (Ref # 130)	130J0610	1
BOLT-FLANGED-SMALL (Ref # 132)	132J0620	1
BOLT-FLANGED-SMALL (Ref # 132A)	132J0630	1
BOLT-FLANGED-SMALL,6X40 (Ref # 132B)	132J0640	1
BOLT-FLANGED-SMALL (Ref # 132C)	132J0695	1
SCREW-PAN-CROS (Ref # 220)	220B0512	1
O RING,11MM (Ref # 670)	670B2011	1
O RING,18MM (Ref # 670A)	670B2018	1
O RING,40MM (Ref # 671)	671B2540	1
CAP (Ref # 11012)	11012-1362	1
CAP, TOP MARK (Ref # 11012A)	11012-1363	1
GASKET, CLUTCH COVER (Ref # 11060)	11060-1238	1
GASKET, GENERATOR (Ref # 11060A)	11060-1239	1
GASKET, REVERSE COVER (Ref # 11060B)	11060-1240	1
GUIDE-CHAIN (Ref # 12053)	12053-1196	1
PLATE, GENERATOR LEAD (Ref # 13169)	13169-1692	1
PLATE-POSITION (Ref # 14014)	14014-1079	1
COVER (Ref # 14024)	14024-1363	1
COVER-CHAIN (Ref # 14026)	14026-1212	1
COVER-CLUTCH (Ref # 14032)	14032-1455	1
COVER, GENERATOR (Ref # 14090)	14090-1757	1
COVER, REVERSE (Ref # 14090A)	14090-1758	1
CAP-OIL FILLER (Ref # 16115)	16115-1009	1
VALVE-ASSY-RELIEF (Ref # 16130)	16130-1001	1
GAUGE, OIL LEVEL (Ref # 52005)	52005-1009	1
SEAL-OIL (Ref # 92049)	92049-1191	1
SEAL-OIL, TB12205.5 (Ref # 92049A)	92049-1271	1
SEAL-OIL (Ref # 92050)	92050-078	1

2001 Mojave® 250 PARTS LIST

Engine Cover(s)

ITEM NAME	PART NUMBER	QUANTITY
RING-O,31.7X2.4 (Ref # 92055)	92055-049	1
RING-O,62.6X66X3.1 (Ref # 92055A)	92055-1221	1
PLUG,DRAIN (Ref # 92066)	92066-1156	1
BOLT,FLANGED,6X30 (Ref # 92150)	92150-1915	1