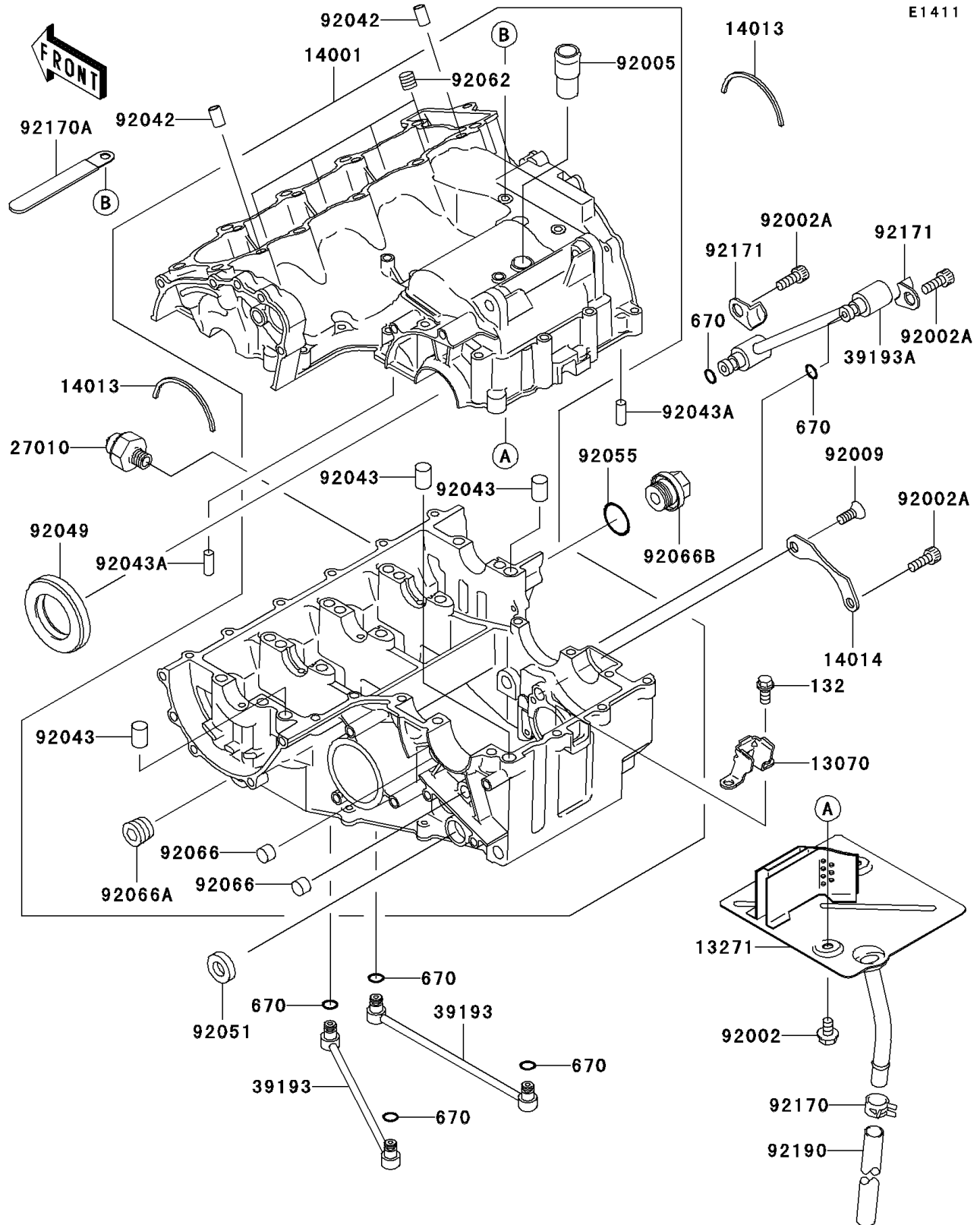


## 2006 ZZR®600 PARTS DIAGRAM

Crankcase



## 2006 ZZR®600 PARTS LIST

Crankcase

ITEM NAME	PART NUMBER	QUANTITY
BOLT-FLANGED-SMALL,6X12 (Ref # 132)	132H0612	1
O RING (Ref # 670)	670D1505	1
GUIDE (Ref # 13070)	13070-1397	1
PLATE,BREATHER (Ref # 13271)	13271-0115	1
SET-CRANKCASE (Ref # 14001)	14001-1300	1
RING-POSITION (Ref # 14013)	14013-004	1
PLATE-POSITION (Ref # 14014)	14014-1123	1
SWITCH,OIL PRESSURE (Ref # 27010)	27010-1313	1
PIPE-OIL,MAIN-INPUT (Ref # 39193)	39193-1019	1
PIPE-OIL (Ref # 39193A)	39193-1020	1
BOLT,6X10 (Ref # 92002)	92002-1449	1
BOLT,SOCKET,6X16 (Ref # 92002A)	92002-1778	1
FITTING,BREATHER (Ref # 92005)	92005-1238	1
SCREW,6X16 (Ref # 92009)	92009-1360	1
PIN,DOWEL,6.3X8X14 (Ref # 92042)	92042-007	1
PIN,10X14 (Ref # 92043)	92043-1506	1
PIN,6X16 (Ref # 92043A)	92043-1690	1
SEAL-OIL,TC32528 (Ref # 92049)	92049-1307	1
SEAL-OIL,TB13225.5 (Ref # 92051)	92051-005	1
RING-O,20X2 (Ref # 92055)	92055-1146	1
NOZZLE,5X6,SILVER (Ref # 92062)	92062-1086	1
PLUG (Ref # 92066)	92066-1110	1
PLUG,PT3/8X12 (Ref # 92066A)	92066-1252	1
PLUG,MAIN GALLERY,18X9 (Ref # 92066B)	92066-1394	1
CLAMP (Ref # 92170)	92170-1167	1
CLAMP (Ref # 92170A)	92170-1925	1
CLAMP,OIL PIPE (Ref # 92171)	92171-0302	1
TUBE,9X12X180 (Ref # 92190)	92190-1580	1