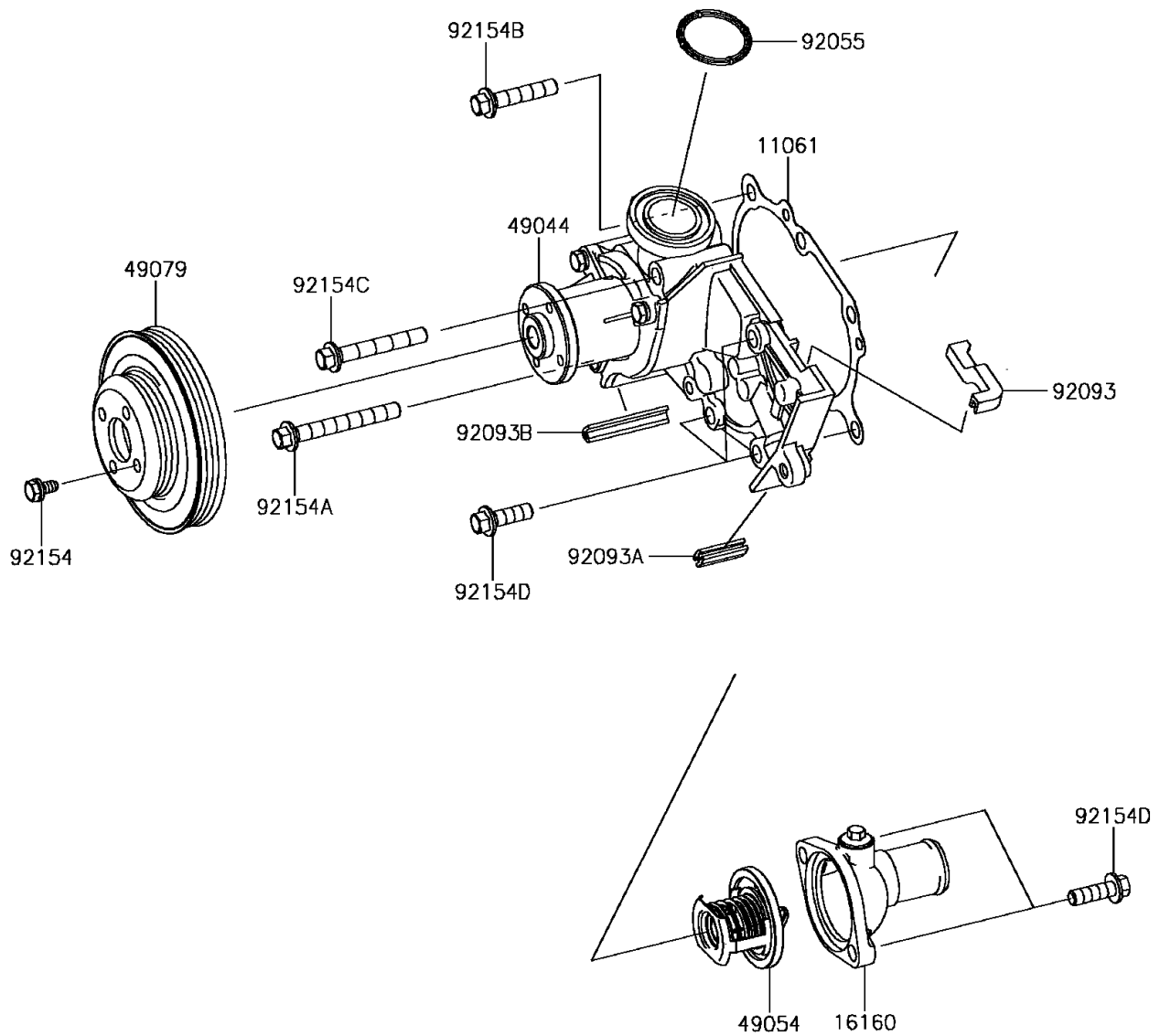


2017 MULE PRO-FX™ EPS Camo PARTS DIAGRAM

Water Pump

E3031



2017 MULE PRO-FX™ EPS Camo PARTS LIST

Water Pump

| ITEM NAME | PART NUMBER | QUANTITY |
|---------------------------------------|-------------|----------|
| GASKET,WATER PUMP (Ref # 11061) | 11061-0955 | 1 |
| BODY,THERMOSTAT HOUSING (Ref # 16160) | 16160-0744 | 1 |
| PUMP-WATER (Ref # 49044) | 49044-0014 | 1 |
| THERMOSTAT (Ref # 49054) | 49054-0007 | 1 |
| PULLEY-BELT (Ref # 49079) | 49079-0022 | 1 |
| RING-O (Ref # 92055) | 92055-0825 | 1 |
| SEAL (Ref # 92093) | 92093-0638 | 1 |
| SEAL (Ref # 92093A) | 92093-0639 | 1 |
| SEAL (Ref # 92093B) | 92093-0640 | 1 |
| BOLT,6X12 (Ref # 92154) | 92154-1598 | 1 |
| BOLT,FLANGED,8X65 (Ref # 92154A) | 92154-1599 | 1 |
| BOLT,FLANGED,8X40 (Ref # 92154B) | 92154-1600 | 1 |
| BOLT,FLANGED,8X55 (Ref # 92154C) | 92154-1601 | 1 |
| BOLT,FLANGED,8X25 (Ref # 92154D) | 92154-1602 | 1 |