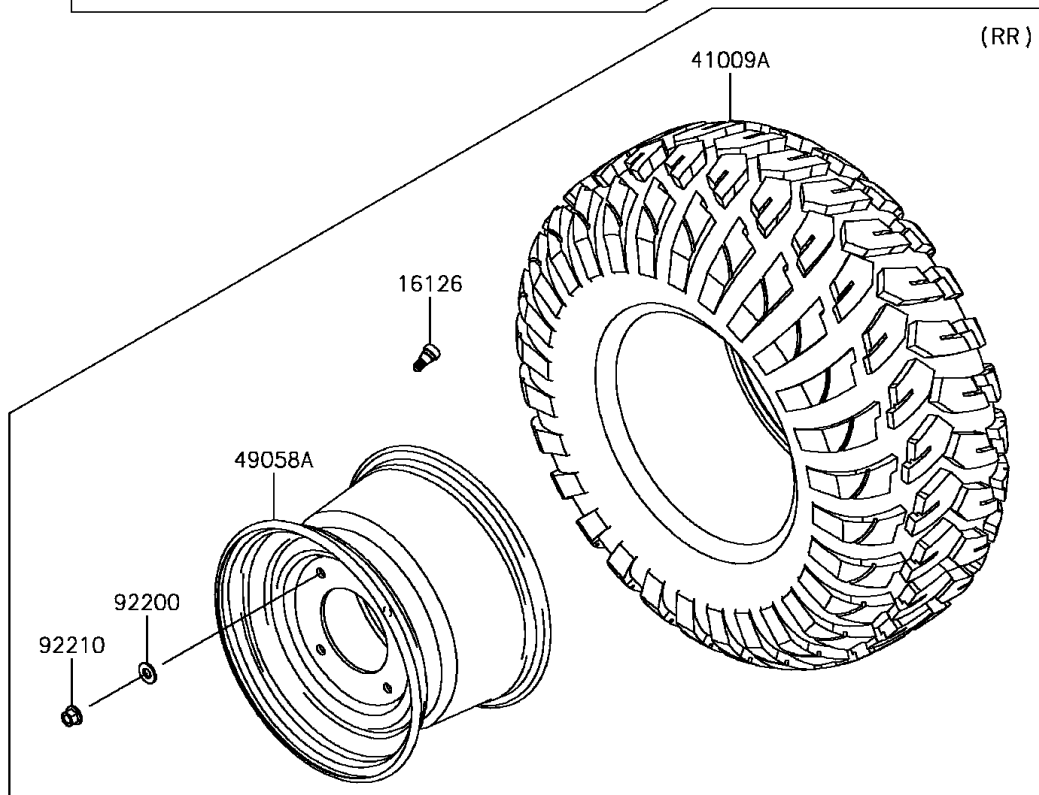
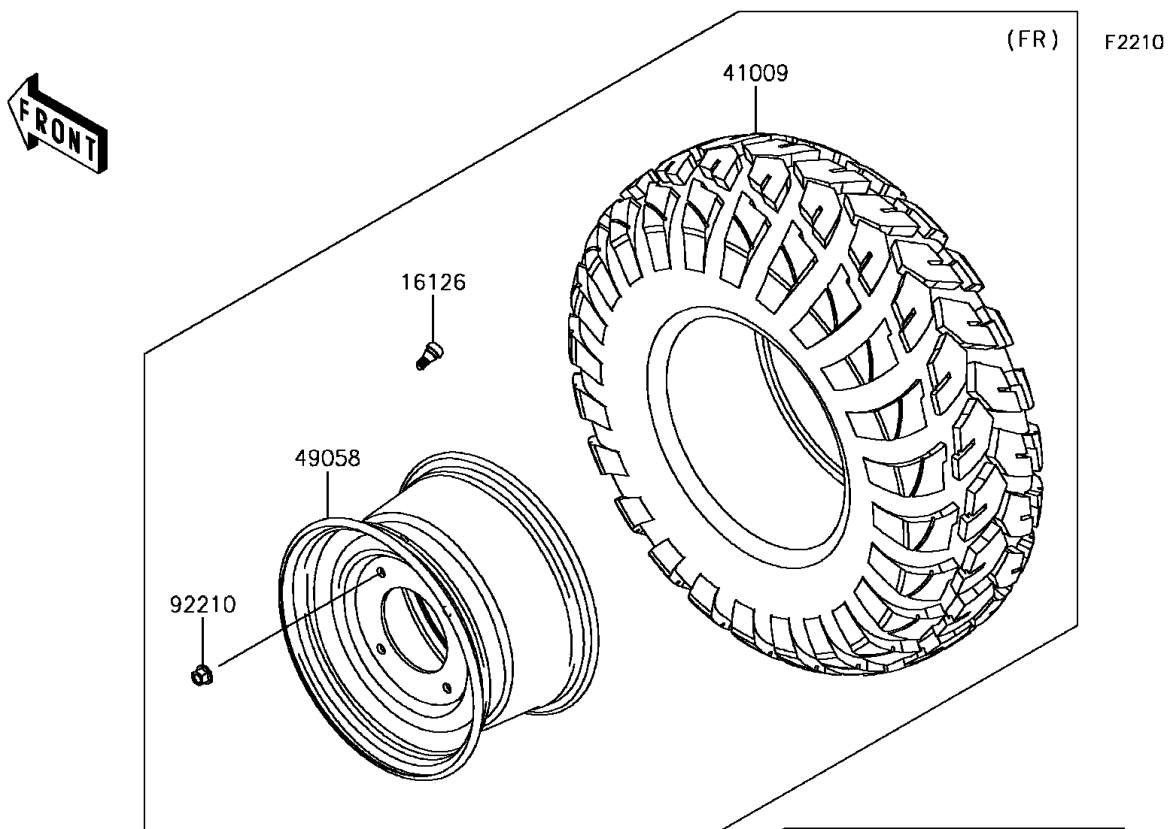


2017 MULE PRO-FX™ EPS PARTS DIAGRAM

Wheels/Tires



2017 MULE PRO-FX™ EPS PARTS LIST

Wheels/Tires

ITEM NAME	PART NUMBER	QUANTITY
VALVE (Ref # 16126)	16126-4001	1
TIRE,FR,26X9.00R12 4PR,FRONTIER (Ref # 41009)	41009-0567	1
TIRE,RR,26X11.00R12 4PR,FRONTIER (Ref # 41009A)	41009-0568	1
WHEEL,FR,12X7.0AT,F.S.BLACK (Ref # 49058)	49058-0608-397	1
WHEEL,RR,12X8.0AT,F.S.BLACK (Ref # 49058A)	49058-0611-397	1
WASHER,12.1X26X2.3 (Ref # 92200)	92200-0930	1
NUT,12MM (Ref # 92210)	92210-0603	1