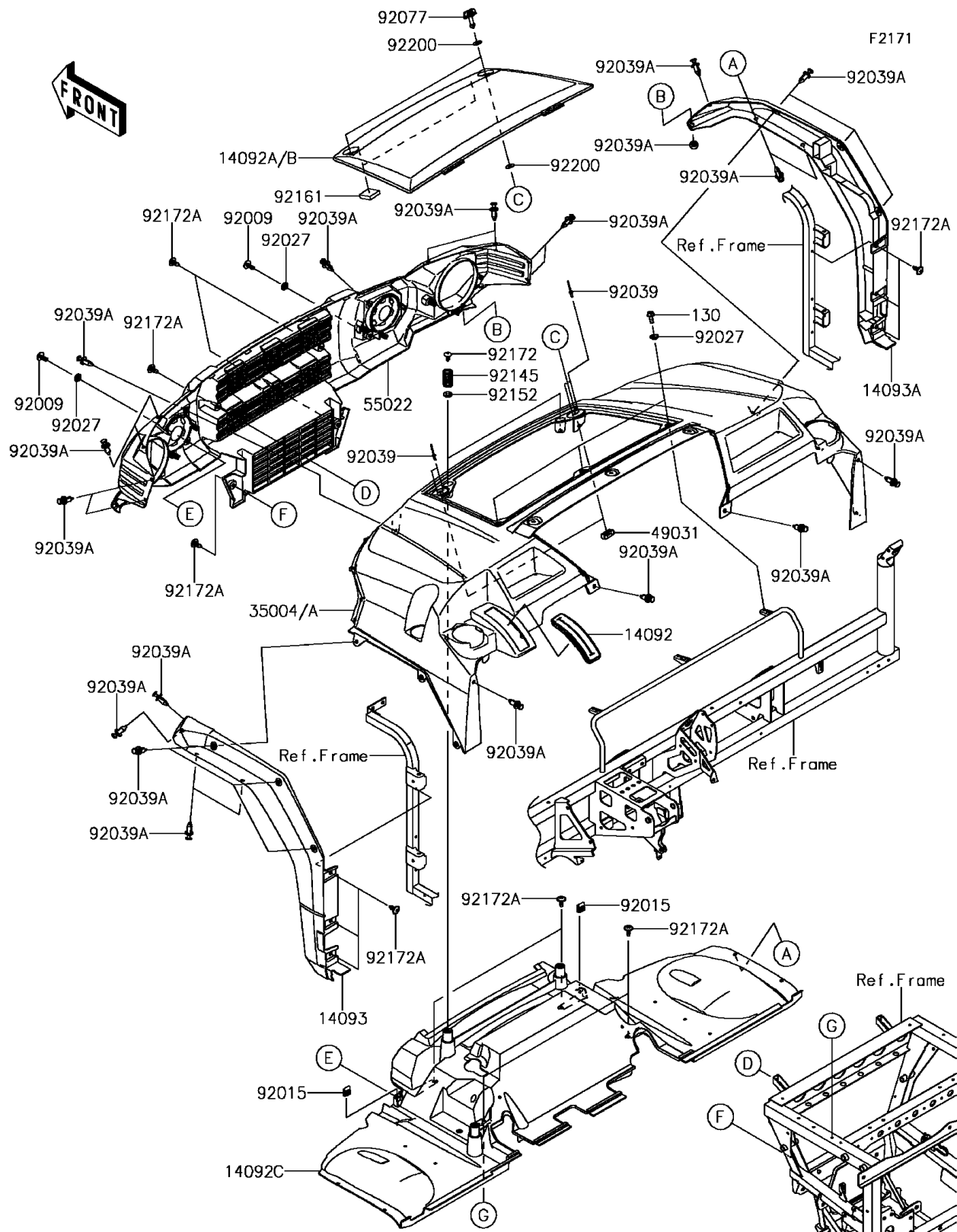


## 2017 MULE PRO-FX™ EPS PARTS DIAGRAM

Front Fender(s)



## 2017 MULE PRO-FX™ EPS PARTS LIST

Front Fender(s)

ITEM NAME	PART NUMBER	QUANTITY
BOLT-FLANGED,6X16 (Ref # 130)	130CA0616	1
COVER,CENTER CONSOLE,TOP (Ref # 14092)	14092-0791	1
COVER,OPEN,V.BLUE (Ref # 14092A)	14092-1177-40D	1
COVER,OPEN,T.GREEN (Ref # 14092B)	14092-1177-42S	1
COVER,TOP,FR INNER (Ref # 14092C)	14092-1194	1
COVER,SIDE,LH (Ref # 14093)	14093-0596	1
COVER,SIDE,RH (Ref # 14093A)	14093-0597	1
FENDER-FRONT,V.BLUE (Ref # 35004)	35004-0335-40D	1
FENDER-FRONT,T.GREEN (Ref # 35004A)	35004-0335-42S	1
LATCH (Ref # 49031)	49031-0008	1
COVER-HEAD LAMP (Ref # 55022)	55022-0304	1
SCREW,6X16 (Ref # 92009)	92009-1621	1
NUT,CLAMP,6MM (Ref # 92015)	92015-1678	1
COLLAR,L=4.6 (Ref # 92027)	92027-1168	1
RIVET,3.2X9.8 (Ref # 92039)	92039-0013	1
RIVET (Ref # 92039A)	92039-1229	1
KNOB (Ref # 92077)	92077-0030	1
SPRING,17X65 (Ref # 92145)	92145-1727	1
COLLAR (Ref # 92152)	92152-0140	1
DAMPER,40X40X10 (Ref # 92161)	92161-1861	1
SCREW,6X16 (Ref # 92172)	92172-0284	1
SCREW,6X16 (Ref # 92172A)	92172-0711	1
WASHER (Ref # 92200)	92200-0503	1