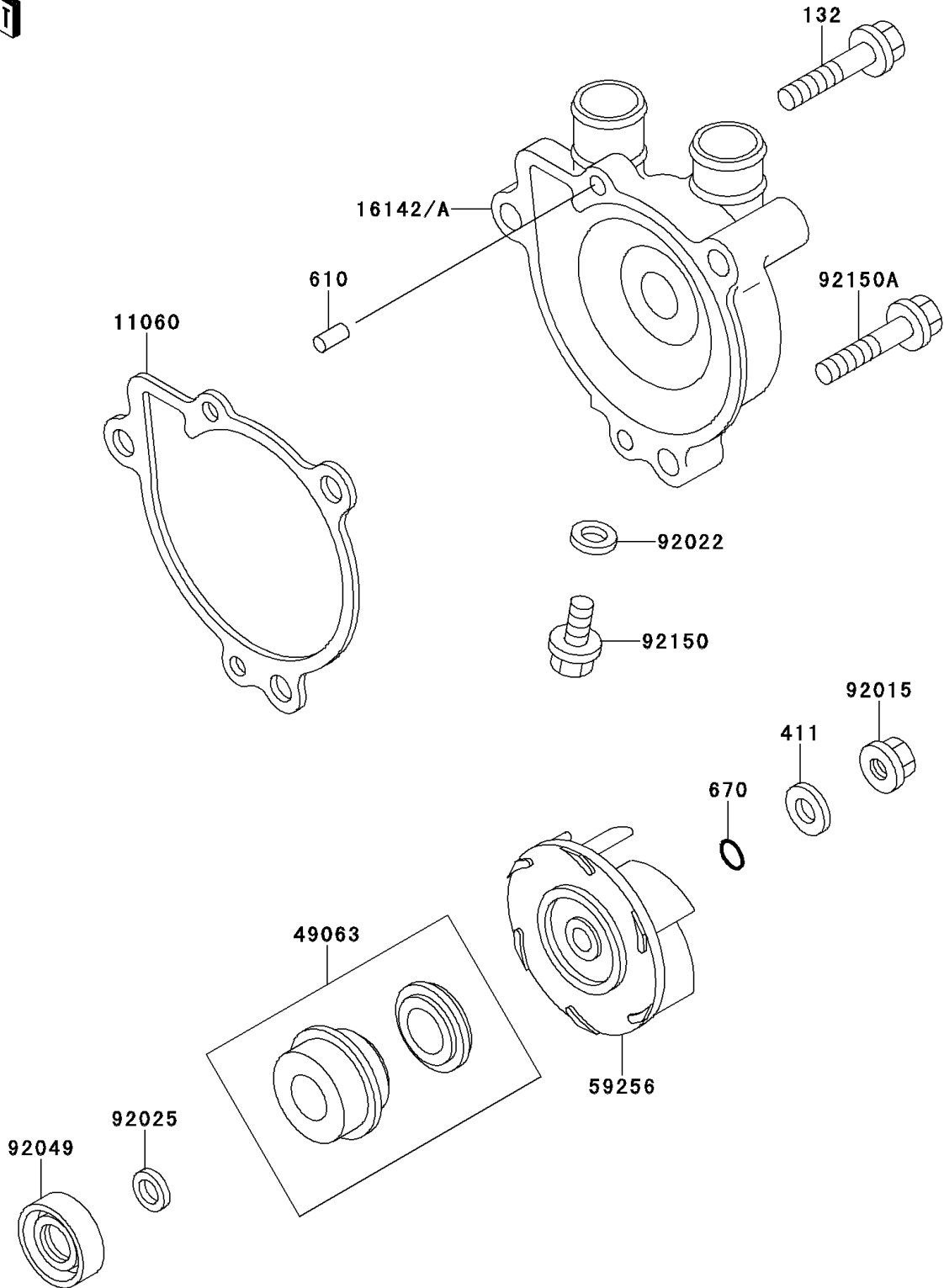


## 1996 Mojave® 250 PARTS DIAGRAM

Water Pump

E3031



## 1996 Mojave® 250 PARTS LIST

Water Pump

| ITEM NAME                          | PART NUMBER | QUANTITY |
|------------------------------------|-------------|----------|
| BOLT-FLANGED-SMALL (Ref # 132)     | 132J0645    | 1        |
| WASHER-PLAIN,6MM,BLACK (Ref # 411) | 411F0600    | 1        |
| ROLLER,4X8 (Ref # 610)             | 610A0408    | 1        |
| O RING,6MM (Ref # 670)             | 670B1506    | 1        |
| GASKET,PUMP COVER (Ref # 11060)    | 11060-1241  | 1        |
| COVER-PUMP (Ref # 16142)           | 16142-1069  | 1        |
| SEAL-MECHANICAL (Ref # 49063)      | 49063-1054  | 1        |
| IMPELLER (Ref # 59256)             | 59256-1055  | 1        |
| NUT,FLANGED,6MM (Ref # 92015)      | 92015-1078  | 1        |
| WASHER,6.2X11X1 (Ref # 92022)      | 92022-304   | 1        |
| SHIM,T=0.8 (Ref # 92025)           | 92025-1507  | 1        |
| SEAL-OIL,SC10227 (Ref # 92049)     | 92049-1157  | 1        |
| BOLT,6X8 (Ref # 92150)             | 92150-1966  | 1        |
| BOLT,6X35 (Ref # 92150A)           | 92150-1967  | 1        |