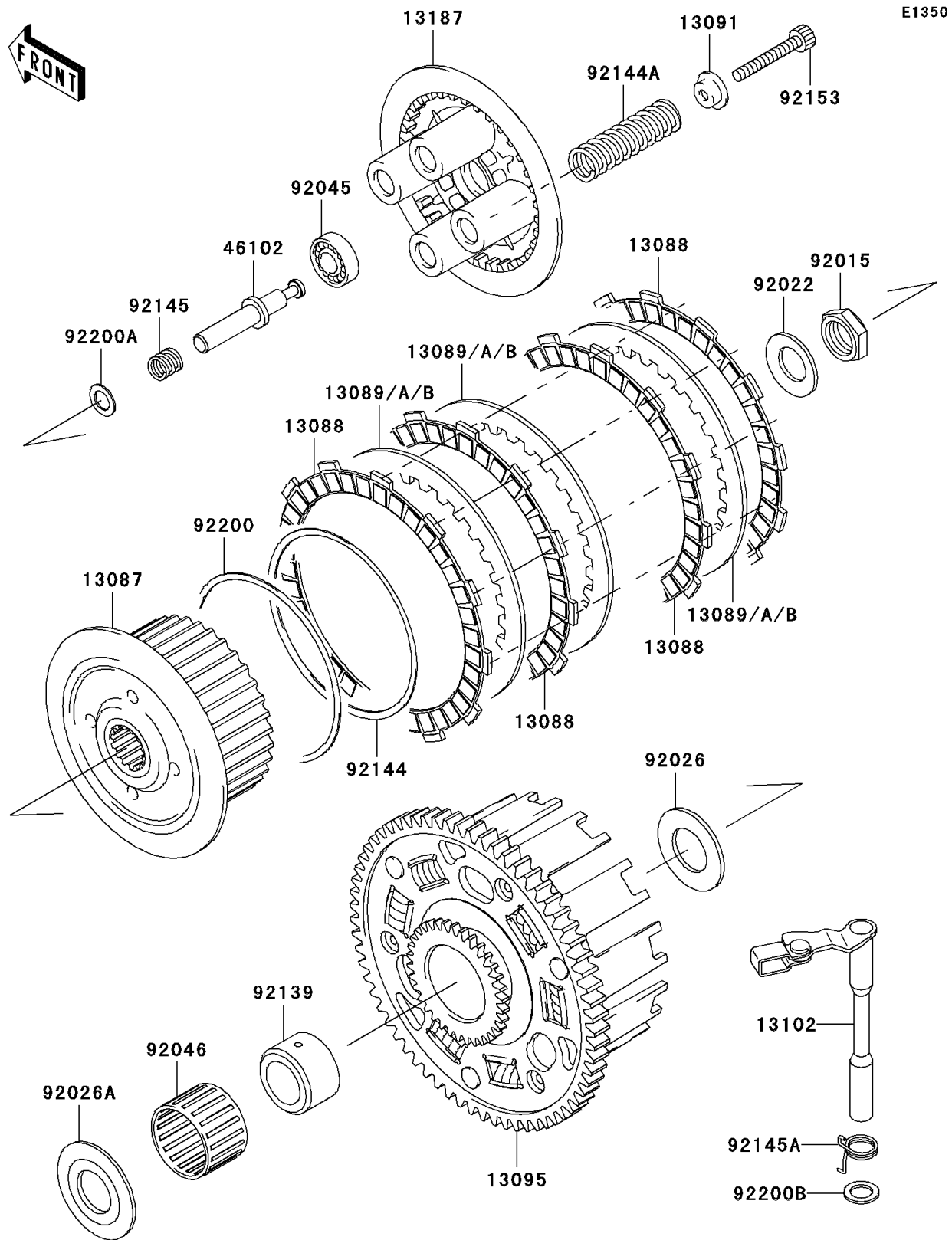


2006 ZZR®600 PARTS DIAGRAM

Clutch



2006 ZZR®600 PARTS LIST

Clutch

ITEM NAME	PART NUMBER	QUANTITY
HUB-CLUTCH (Ref # 13087)	13087-0006	1
PLATE-FRICTION (Ref # 13088)	13088-1124	1
PLATE-CLUTCH,T=1.6 (Ref # 13089)	13089-013	1
PLATE-CLUTCH,T=2.0 (Ref # 13089A)	13089-1073	1
PLATE-CLUTCH,T=1.4 (Ref # 13089B)	13089-1126	1
HOLDER,CLUTCH SPRING (Ref # 13091)	13091-1041	1
HOUSING-COMP-CLUTCH (Ref # 13095)	13095-1392	1
RELEASE-COMP-CLUTCH (Ref # 13102)	13102-1159	1
PLATE-CLUTCH OPERATING (Ref # 13187)	13187-0003	1
ROD (Ref # 46102)	46102-1449	1
NUT,20MM (Ref # 92015)	92015-1555	1
WASHER,20.3X36X3.7 (Ref # 92022)	92022-1868	1
SPACER,25.5X47X2.5 (Ref # 92026)	92026-022	1
SPACER (Ref # 92026A)	92026-1356	1
BEARING-BALL,6001C3ML01 (Ref # 92045)	92045-1235	1
BEARING-NEEDLE,K38X43X28.8X (Ref # 92046)	92046-1263	1
BUSHING,25X38X29.05 (Ref # 92139)	92139-0067	1
SPRING,FRICTION PLATE (Ref # 92144)	92144-1854	1
SPRING,CLUTCH,L=82.1MM (Ref # 92144A)	92144-1881	1
SPRING,ROD (Ref # 92145)	92145-1159	1
SPRING (Ref # 92145A)	92145-1339	1
BOLT (Ref # 92153)	92153-0332	1
WASHER,FRICTION PLATE (Ref # 92200)	92200-1260	1
WASHER,11.2X18X0.5 (Ref # 92200A)	92200-1423	1
WASHER,12X18.5X0.5 (Ref # 92200B)	92200-1487	1