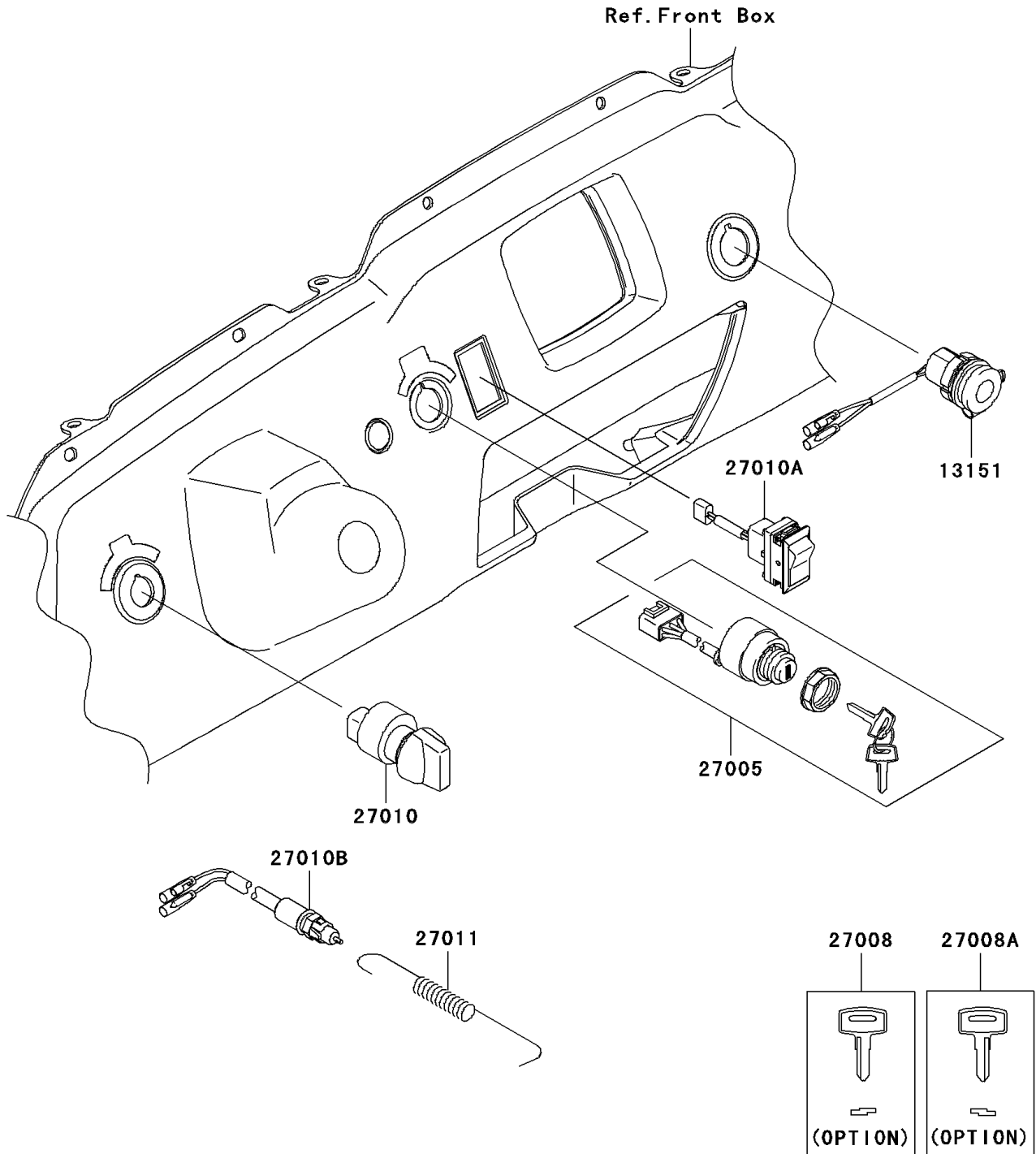


## 2010 Teryx® 750 FI 4x4 SGE PARTS DIAGRAM

Ignition Switch

F2770



## 2010 Teryx® 750 FI 4x4 SGE PARTS LIST

### Ignition Switch

| ITEM NAME                              | PART NUMBER | QUANTITY |
|--|-------------|----------|
| SWITCH-COMP,D.C.TERMINAL (Ref # 13151) | 13151-0003  | 1        |
| SWITCH-ASSY-IGNITION (Ref # 27005)     | 27005-0036  | 1        |
| KEY-LOCK,BLANK (Ref # 27008)           | 27008-1153  | 1        |
| KEY-LOCK,BLANK (Ref # 27008A)          | 27008-1157  | 1        |
| SWITCH,HEAD LAMP (Ref # 27010)         | 27010-0067  | 1        |
| SWITCH,2/4WD (Ref # 27010A)            | 27010-0068  | 1        |
| SWITCH,REAR BRAKE (Ref # 27010B)       | 27010-1475  | 1        |
| SPRING,BRAKE LAMP SWITCH (Ref # 27011) | 27011-006   | 1        |