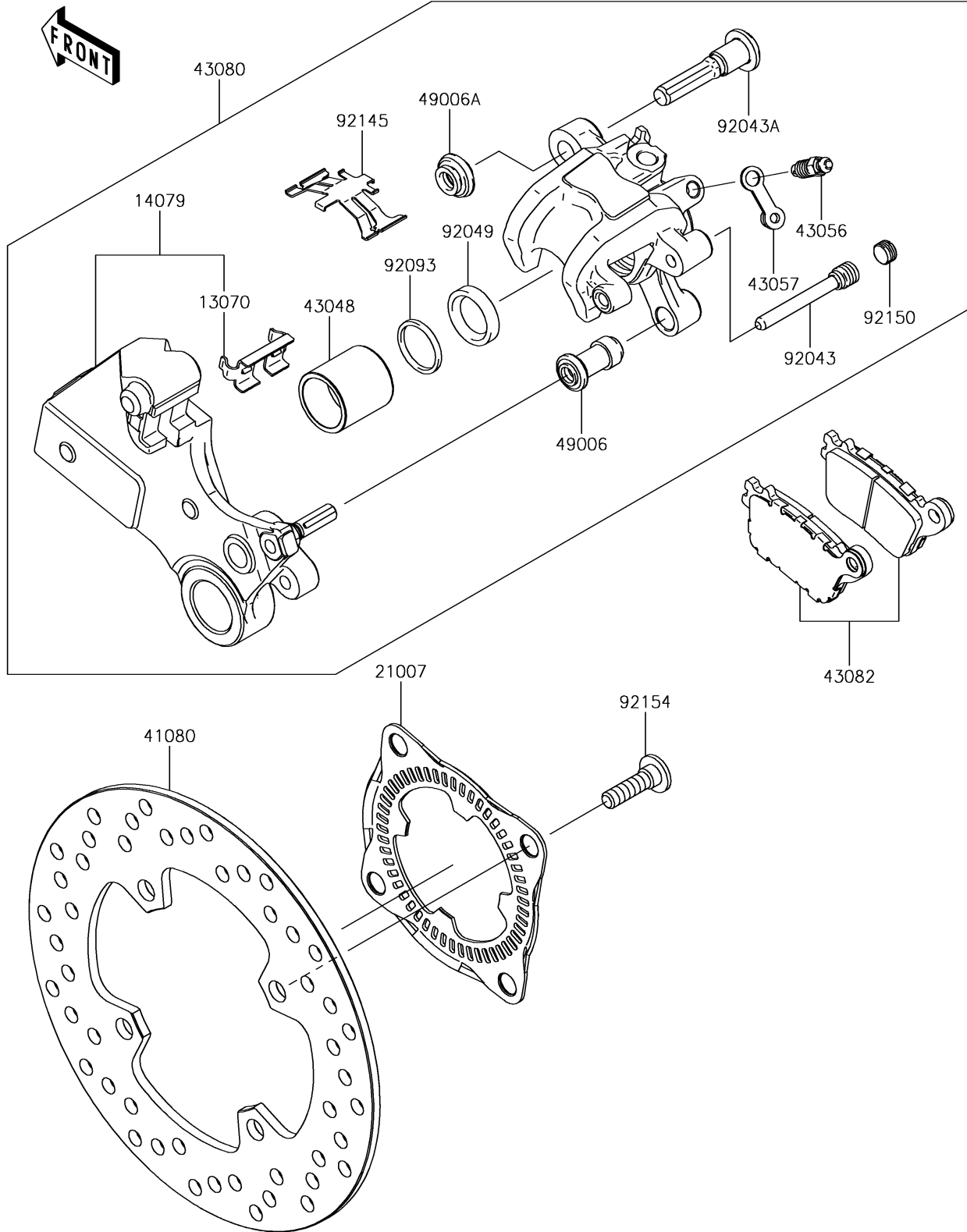


## 2018 PARTS DIAGRAM

Rear Brake

F2294



## 2018 PARTS LIST

Rear Brake

| ITEM NAME                               | PART NUMBER   | QUANTITY |
|---|---------------|----------|
| GUIDE (Ref # 13070)                     | 13070-0126    | 1        |
| HOLDER-ASSY (Ref # 14079)               | 14079-0074    | 1        |
| ROTOR,RR WHEEL (Ref # 21007)            | 21007-0167    | 1        |
| DISC,RR (Ref # 41080)                   | 41080-0662    | 1        |
| PISTON-CALIPER (Ref # 43048)            | 43048-0018    | 1        |
| BREATHER (Ref # 43056)                  | 43056-1055    | 1        |
| CAP-BREATHER (Ref # 43057)              | 43057-1001    | 1        |
| CALIPER-SUB-ASSY,RR,BLACK (Ref # 43080) | 43080-0097-DJ | 1        |
| PAD-ASSY-BRAKE (Ref # 43082)            | 43082-0115    | 1        |
| BOOT,CALIPER (Ref # 49006)              | 49006-1088    | 1        |
| BOOT,CALIPER (Ref # 49006A)             | 49006-1242    | 1        |
| PIN,PAD (Ref # 92043)                   | 92043-0106    | 1        |
| PIN (Ref # 92043A)                      | 92043-1508    | 1        |
| SEAL-OIL,PISTON (Ref # 92049)           | 92049-1331    | 1        |
| SEAL,PISTON (Ref # 92093)               | 92093-1272    | 1        |
| SPRING (Ref # 92145)                    | 92145-0810    | 1        |
| BOLT,PLUG (Ref # 92150)                 | 92150-1692    | 1        |
| BOLT,SOCKET,8X30 (Ref # 92154)          | 92154-1865    | 1        |