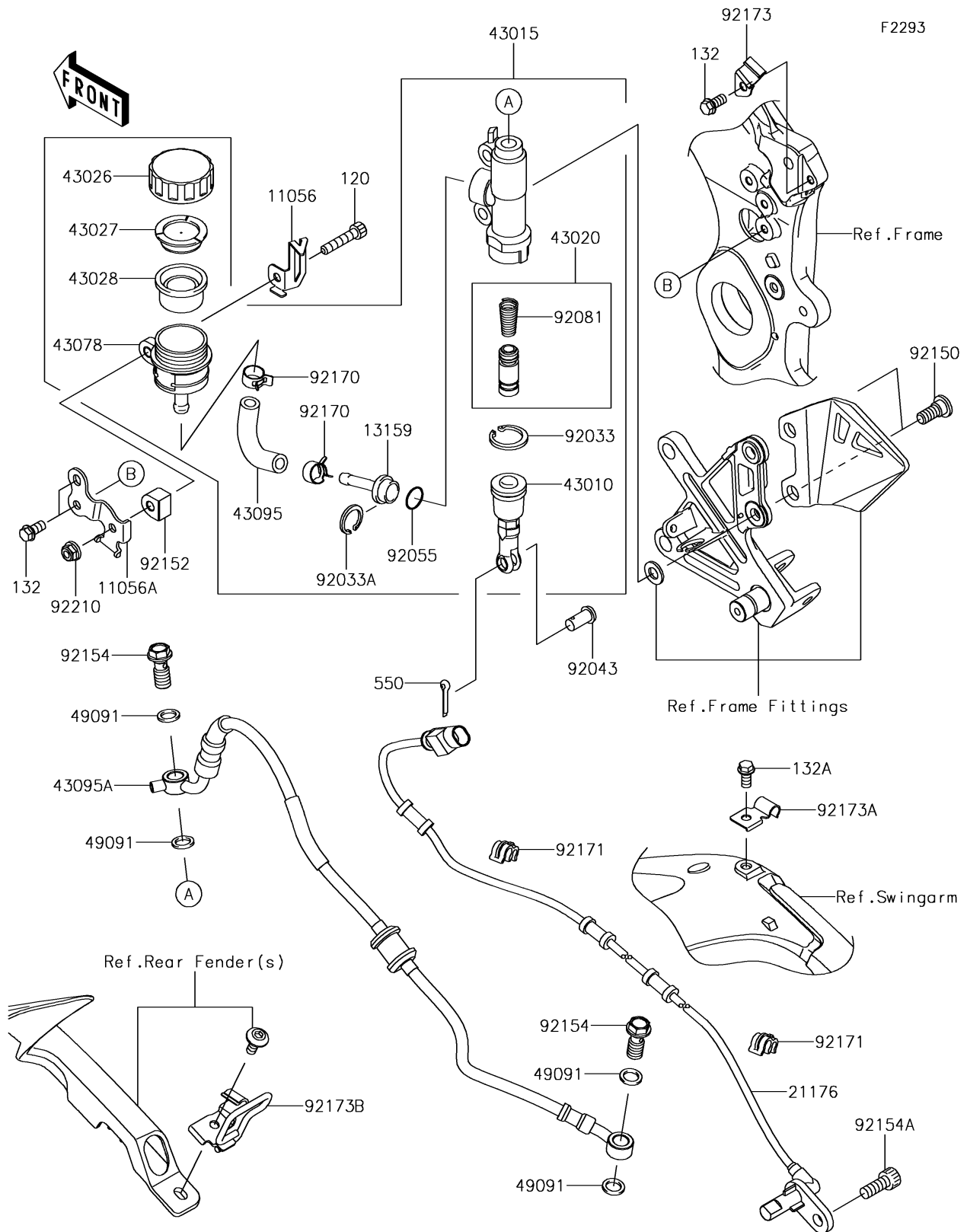


2018 PARTS DIAGRAM

Rear Master Cylinder



2018 PARTS LIST

Rear Master Cylinder

| ITEM NAME | PART NUMBER | QUANTITY |
|---|-------------|----------|
| BRACKET,RESERVOIR TANK CAP (Ref # 11056) | 11056-7024 | 1 |
| BRACKET,RESERVOIR TANK (Ref # 11056A) | 11056-7786 | 1 |
| BOLT-SOCKET,6X30 (Ref # 120) | 120CC0630 | 1 |
| CONNECTOR (Ref # 13159) | 13159-0009 | 1 |
| BOLT-FLANGED-SMALL,6X12 (Ref # 132) | 132BA0612 | 1 |
| BOLT-FLANGED-SMALL,6X12 (Ref # 132A) | 132BB0612 | 1 |
| SENSOR,RR WHEEL (Ref # 21176) | 21176-0815 | 1 |
| ROD-ASSY-BRAKE (Ref # 43010) | 43010-0016 | 1 |
| CYLINDER-ASSY-MASTER,RR (Ref # 43015) | 43015-0640 | 1 |
| PISTON-COMP-BRAKE (Ref # 43020) | 43020-1057 | 1 |
| CAP-BRAKE (Ref # 43026) | 43026-0009 | 1 |
| PLATE-DIAPHRAGM (Ref # 43027) | 43027-1053 | 1 |
| DIAPHRAGM (Ref # 43028) | 43028-1065 | 1 |
| RESERVOIR (Ref # 43078) | 43078-0575 | 1 |
| HOSE-BRAKE,RESERVOIR (Ref # 43095) | 43095-0585 | 1 |
| HOSE-BRAKE,RR M/CYL.-RR CAL. (Ref # 43095A) | 43095-0927 | 1 |
| WASHER-SEAL,10.1X14.5X1.5 (Ref # 49091) | 49091-0001 | 1 |
| PIN-COTTER,2.0X15 (Ref # 550) | 550AA2015 | 1 |
| RING-SNAP,20.9X24.6X1.2 (Ref # 92033) | 92033-0079 | 1 |
| RING-SNAP,20.5MM (Ref # 92033A) | 92033-1186 | 1 |
| PIN,8X17 (Ref # 92043) | 92043-0104 | 1 |
| RING-O,14.8X2.4 (Ref # 92055) | 92055-0741 | 1 |
| SPRING,MASTER CYLINDER (Ref # 92081) | 92081-1737 | 1 |
| BOLT,SOCKET,8X25 (Ref # 92150) | 92150-1837 | 1 |
| COLLAR,6.1X16X11.3 (Ref # 92152) | 92152-2188 | 1 |
| BOLT,BANJO,10X23 (Ref # 92154) | 92154-1712 | 1 |
| BOLT,SOCKET,8X20 (Ref # 92154A) | 92154-1976 | 1 |
| CLAMP,HOSE (Ref # 92170) | 92170-1091 | 1 |
| CLAMP (Ref # 92171) | 92171-0921 | 1 |

2018 PARTS LIST

Rear Master Cylinder

| ITEM NAME | PART NUMBER | QUANTITY |
|------------------------------------|-------------|----------|
| CLAMP,MAIN FRAME,RR (Ref # 92173) | 92173-1516 | 1 |
| CLAMP,SWING ARM,MID (Ref # 92173A) | 92173-1517 | 1 |
| CLAMP,SWING ARM,RR (Ref # 92173B) | 92173-1518 | 1 |
| NUT,6MM (Ref # 92210) | 92210-0991 | 1 |