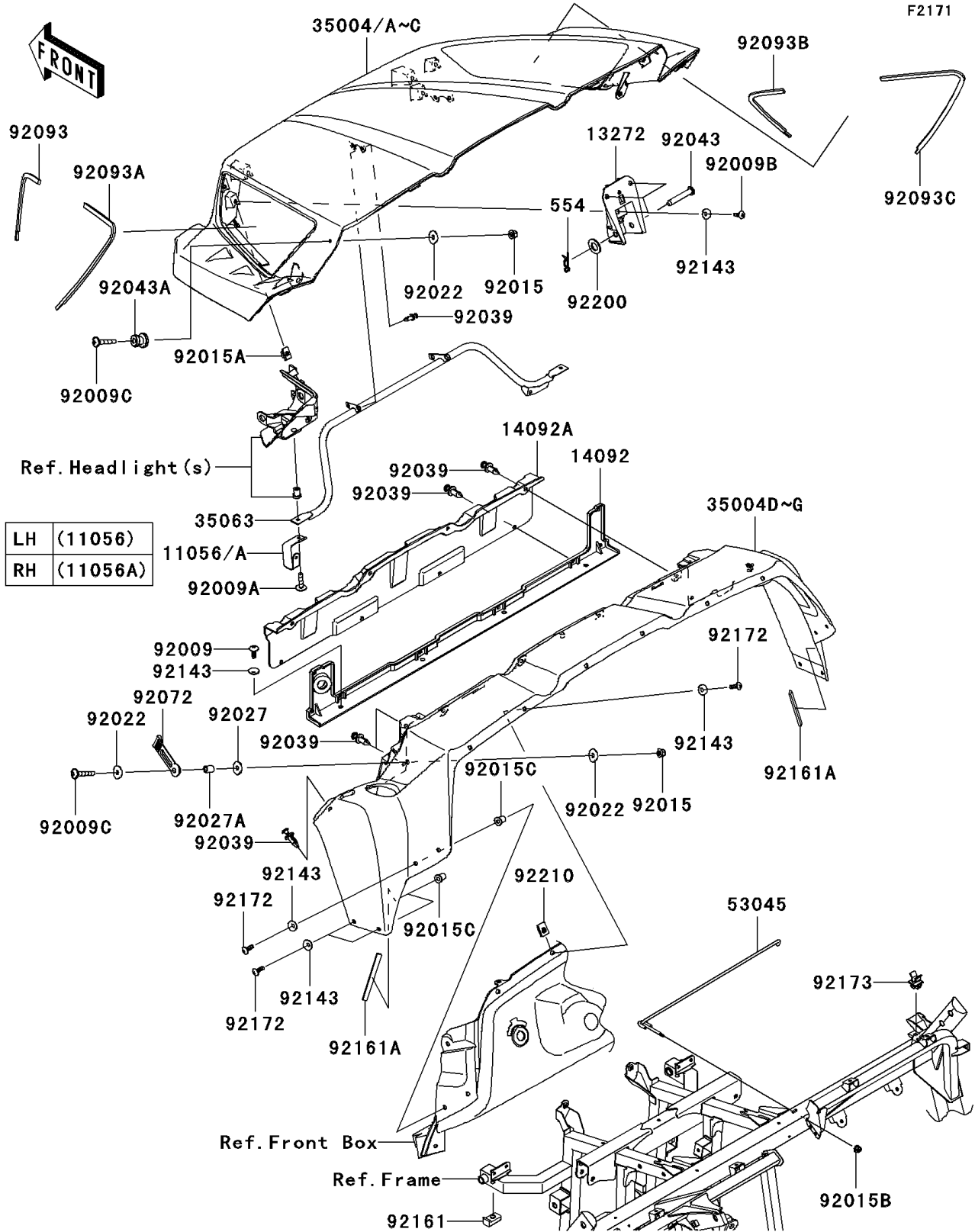


2010 Teryx® 750 FI 4x4 SGE PARTS DIAGRAM

Front Fender(s)



2010 Teryx® 750 FI 4x4 SGE PARTS LIST

Front Fender(s)

ITEM NAME	PART NUMBER	QUANTITY
BRACKET,LH (Ref # 11056)	11056-0129	1
BRACKET,RH (Ref # 11056A)	11056-0130	1
PLATE (Ref # 13272)	13272-0849	1
COVER,BASE PLATE (Ref # 14092)	14092-0059	1
COVER,CHECK PLATE (Ref # 14092A)	14092-0060	1
FENDER-FRONT,FR,G.D.RED (Ref # 35004)	35004-0134-31H	1
FENDER-FRONT,FR,G.D.SILVER (Ref # 35004A)	35004-0134-31J	1
FENDER-FRONT,FR,G.D.BLACK (Ref # 35004B)	35004-0134-31K	1
FENDER-FRONT,FR,G.D.BLUE (Ref # 35004C)	35004-0134-31L	1
FENDER-FRONT,RR,G.D.RED (Ref # 35004D)	35004-0143-31H	1
FENDER-FRONT,RR,G.D.SILVER (Ref # 35004E)	35004-0143-31J	1
FENDER-FRONT,RR,G.D.BLACK (Ref # 35004F)	35004-0143-31K	1
FENDER-FRONT,RR,G.D.BLUE (Ref # 35004G)	35004-0143-31L	1
STAY,HEAD LAMP (Ref # 35063)	35063-0677	1
HOOK-ASSY (Ref # 53045)	53045-0018	1
SCREW,TAPPING,6X16 (Ref # 92009)	92009-1166	1
SCREW,6X25 (Ref # 92009A)	92009-1465	1
SCREW,5X16,BLACK (Ref # 92009B)	92009-1654	1
SCREW,6X35 (Ref # 92009C)	92009-1672	1
NUT,LOCK,FLANGED,6MM (Ref # 92015)	92015-1339	1
NUT,5MM (Ref # 92015A)	92015-1627	1
NUT,LOCK,FLANGED,5MM (Ref # 92015B)	92015-1752	1
NUT,WELL,5MM (Ref # 92015C)	92015-1757	1
WASHER,6.5X20X1.6,WHITE (Ref # 92022)	92022-193	1
COLLAR,L=5.1 (Ref # 92027)	92027-1260	1
COLLAR,6.8X10X12 (Ref # 92027A)	92027-162	1
RIVET (Ref # 92039)	92039-1229	1
PIN,12.4X72.4 (Ref # 92043)	92043-0168	1
PIN (Ref # 92043A)	92043-0197	1

2010 Teryx® 750 FI 4x4 SGE PARTS LIST

Front Fender(s)

ITEM NAME	PART NUMBER	QUANTITY
BAND (Ref # 92072)	92072-0144	1
SEAL,FR,LH (Ref # 92093)	92093-0168	1
SEAL,RR,LH (Ref # 92093A)	92093-0169	1
SEAL,FR,RH (Ref # 92093B)	92093-0170	1
SEAL,RR,RH (Ref # 92093C)	92093-0171	1
COLLAR (Ref # 92143)	92143-1087	1
DAMPER (Ref # 92161)	92161-0861	1
DAMPER (Ref # 92161A)	92161-0877	1
SCREW,5X16 (Ref # 92172)	92172-0479	1
CLAMP (Ref # 92173)	92173-0106	1
WASHER,13X24X2 (Ref # 92200)	92200-0451	1
PIN-SNAP,12MM (Ref # 554)	554DA1200	1
NUT,5MM (Ref # 92210)	92210-0499	1