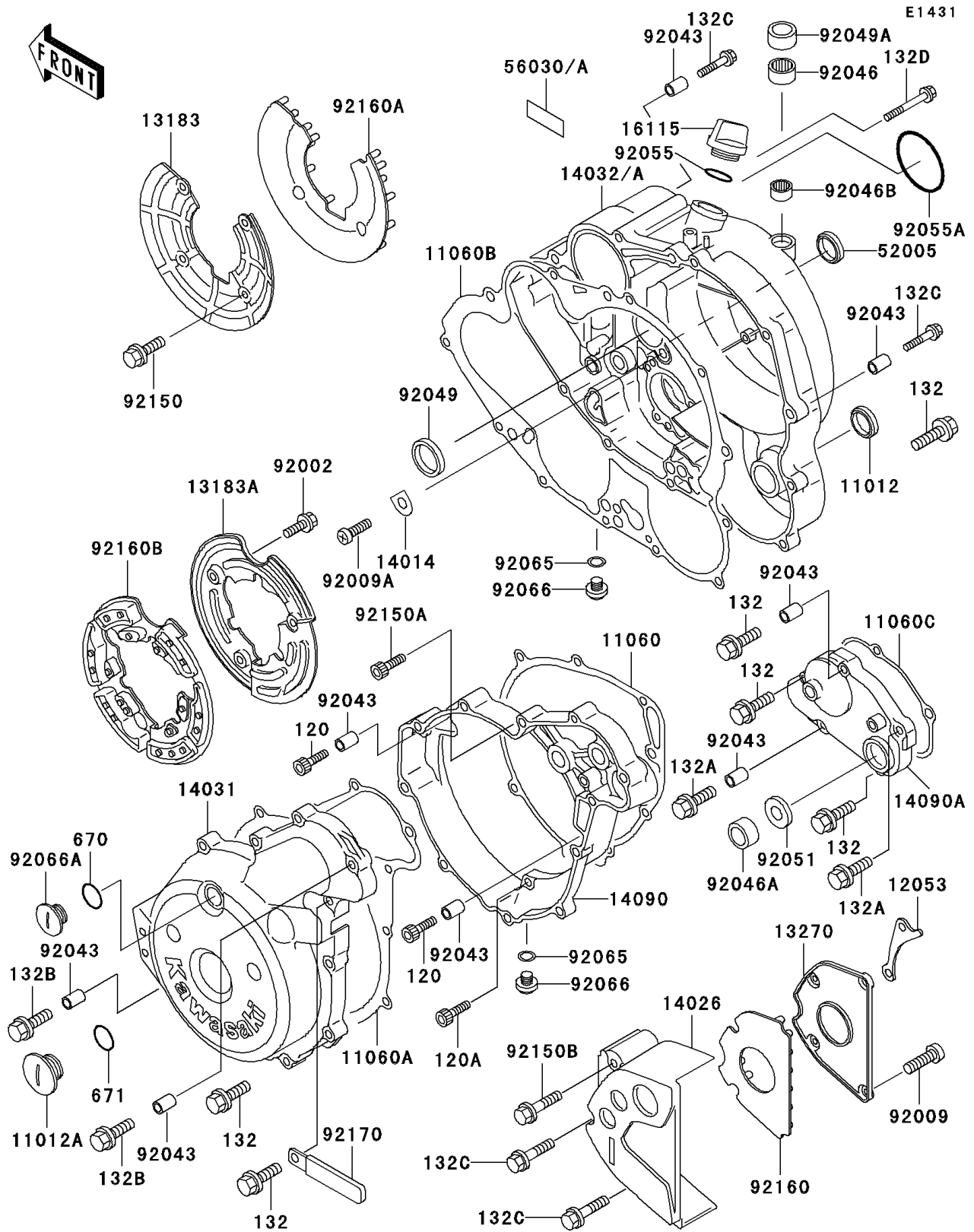


## 1993 KLX™650 PARTS DIAGRAM

Engine Cover(s)



## 1993 KLX™650 PARTS LIST

Engine Cover(s)

ITEM NAME	PART NUMBER	QUANTITY
CAP (Ref # 11012)	11012-1567	1
CAP (Ref # 11012A)	11012-1616	1
GASKET,GENERATOR (Ref # 11060)	11060-1293	1
GASKET,GENERATOR COVER (Ref # 11060A)	11060-1313	1
GASKET,CLUTCH COVER (Ref # 11060B)	11060-1363	1
GASKET,TRANSMISSION COVER (Ref # 11060C)	11060-1364	1
GUIDE-CHAIN (Ref # 12053)	12053-1334	1
PLATE,CLUTCH COVER (Ref # 13183)	13183-1937	1
PLATE,GENERATOR COVER (Ref # 13183A)	13183-1988	1
PLATE,CHAIN COVER (Ref # 13270)	13270-1285	1
PLATE-POSITION,ROD (Ref # 14014)	14014-1116	1
COVER-CHAIN (Ref # 14026)	14026-1195	1
COVER-GENERATOR (Ref # 14031)	14031-1274	1
COVER-CLUTCH (Ref # 14032)	14032-1358	1
COVER,GENERATOR,INSIDE (Ref # 14090)	14090-1253	1
COVER,TRANSMISSION (Ref # 14090A)	14090-1256	1
CAP-OIL FILLER (Ref # 16115)	16115-1053	1
GAUGE,OIL LEVEL (Ref # 52005)	52005-1057	1
LABEL,OIL (Ref # 56030)	56030-1158	1
BOLT,6X8 (Ref # 92002)	92002-1944	1
SCREW,TAPPING,4X8 (Ref # 92009)	92009-1155	1
SCREW,6X10 (Ref # 92009A)	92009-1563	1
PIN,6.2X8X14 (Ref # 92043)	92043-1263	1
BEARING-NEEDLE,HK1210 (Ref # 92046)	92046-1010	1
BEARING-NEEDLE,HK1312 (Ref # 92046A)	92046-1148	1
BEARING-NEEDLE (Ref # 92046B)	92046-1217	1
SEAL-OIL,SCY 15X30X7 (Ref # 92049)	92049-1158	1
SEAL-OIL,TB12205.5 (Ref # 92049A)	92049-1271	1
SEAL-OIL,TB13225.5 (Ref # 92051)	92051-005	1

## 1993 KLX™650 PARTS LIST

Engine Cover(s)

ITEM NAME	PART NUMBER	QUANTITY
RING-O (Ref # 92055)	92055-012	1
RING-O,62.6X66X3.1 (Ref # 92055A)	92055-1221	1
GASKET,12.5X18X1,DRAIN PLUG (Ref # 92065)	92065-073	1
PLUG,12X10 (Ref # 92066)	92066-1222	1
PLUG,DRAIN (Ref # 92066A)	92066-1380	1
BOLT,5X8 (Ref # 92150)	92150-1406	1
BOLT,SOCKET,6X22 (Ref # 92150A)	92150-1654	1
BOLT,6X40 (Ref # 92150B)	92150-1830	1
DAMPER,CHAIN COVER (Ref # 92160)	92160-1389	1
BOLT-SOCKET,6X35 (Ref # 120)	120P0635	1
BOLT-SOCKET (Ref # 120A)	120Z0625	1
BOLT-FLANGED-SMALL (Ref # 132)	132Y0625	1
BOLT-FLANGED-SMALL (Ref # 132A)	132Y0630	1
BOLT-FLANGED-SMALL (Ref # 132B)	132Y0635	1
BOLT-FLANGED-SMALL (Ref # 132C)	132Y0640	1
BOLT-FLANGED-SMALL (Ref # 132D)	132Y0680	1
O RING,18MM (Ref # 670)	670B2018	1
O RING,40MM (Ref # 671)	671B2540	1
DAMPER,CLUTCH COVER (Ref # 92160A)	92160-1390	1
DAMPER,GENERATOR COVER (Ref # 92160B)	92160-1411	1
CLAMP,CARBURETOR HOSE (Ref # 92170)	92170-1514	1