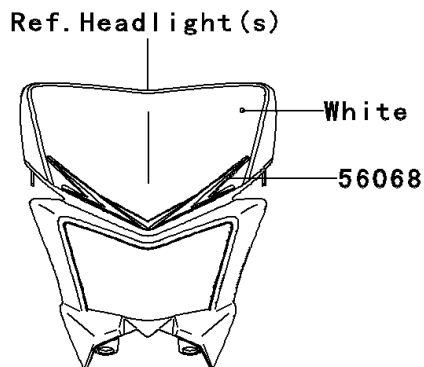
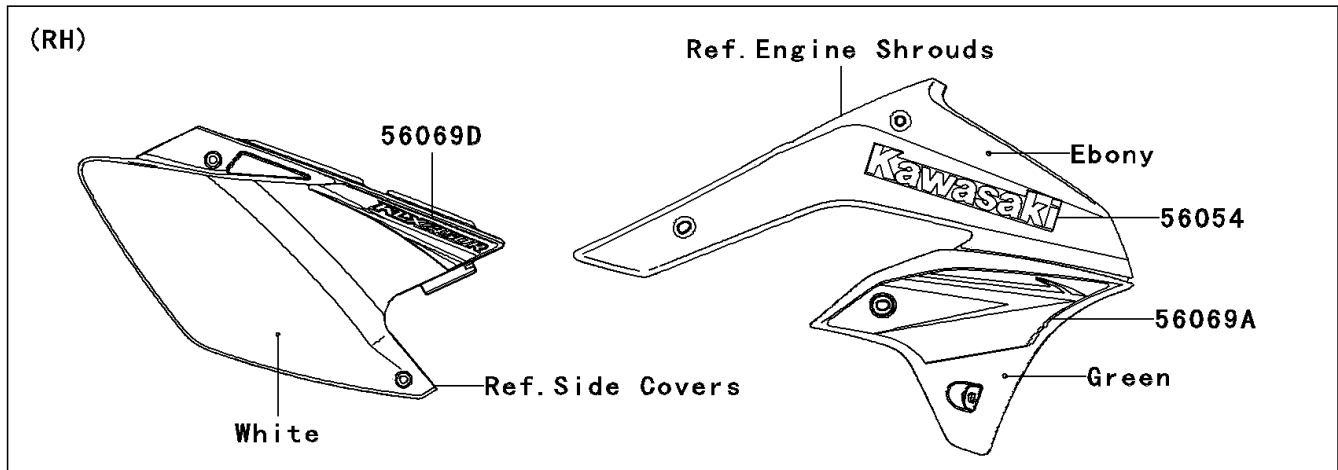
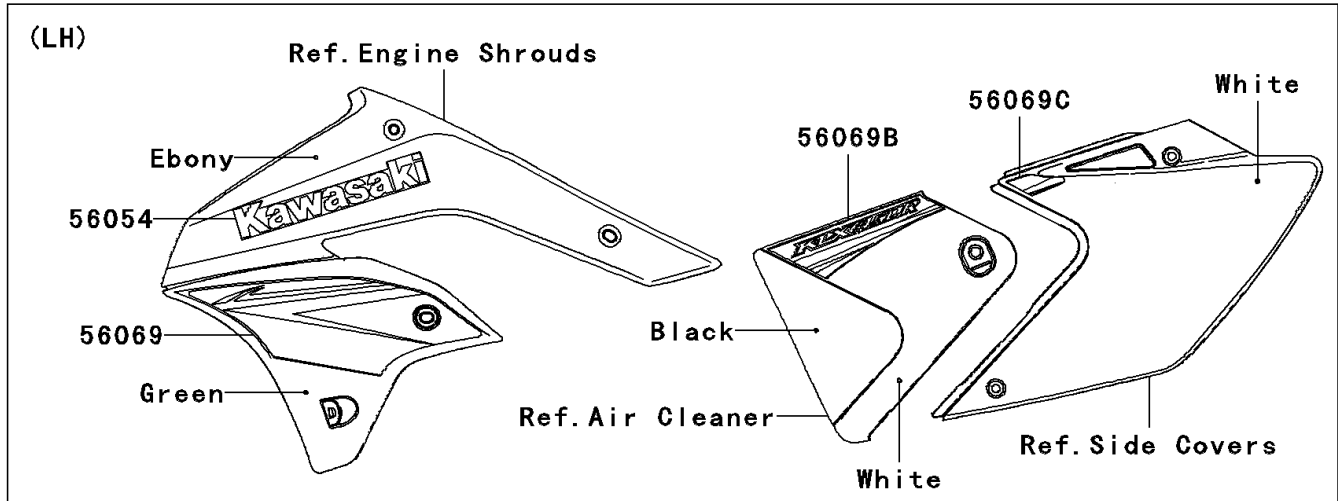


## 2010 PARTS DIAGRAM

Decals(AAF)

F2861B



## 2010 PARTS LIST

Decals(AAF)

ITEM NAME	PART NUMBER	QUANTITY
MARK,SHROUD,KAWASAKI (Ref # 56054)	56054-0466	1
PATTERN,HEAD LAMP COVER (Ref # 56068)	56068-1253	1
PATTERN,SHROUD,LH (Ref # 56069)	56069-0023	1
PATTERN,SHROUD,RH (Ref # 56069A)	56069-0024	1
PATTERN,AIR CLEANER COVER (Ref # 56069B)	56069-0025	1
PATTERN,SIDE COVER,LH (Ref # 56069C)	56069-0026	1
PATTERN,SIDE COVER,RH (Ref # 56069D)	56069-0027	1