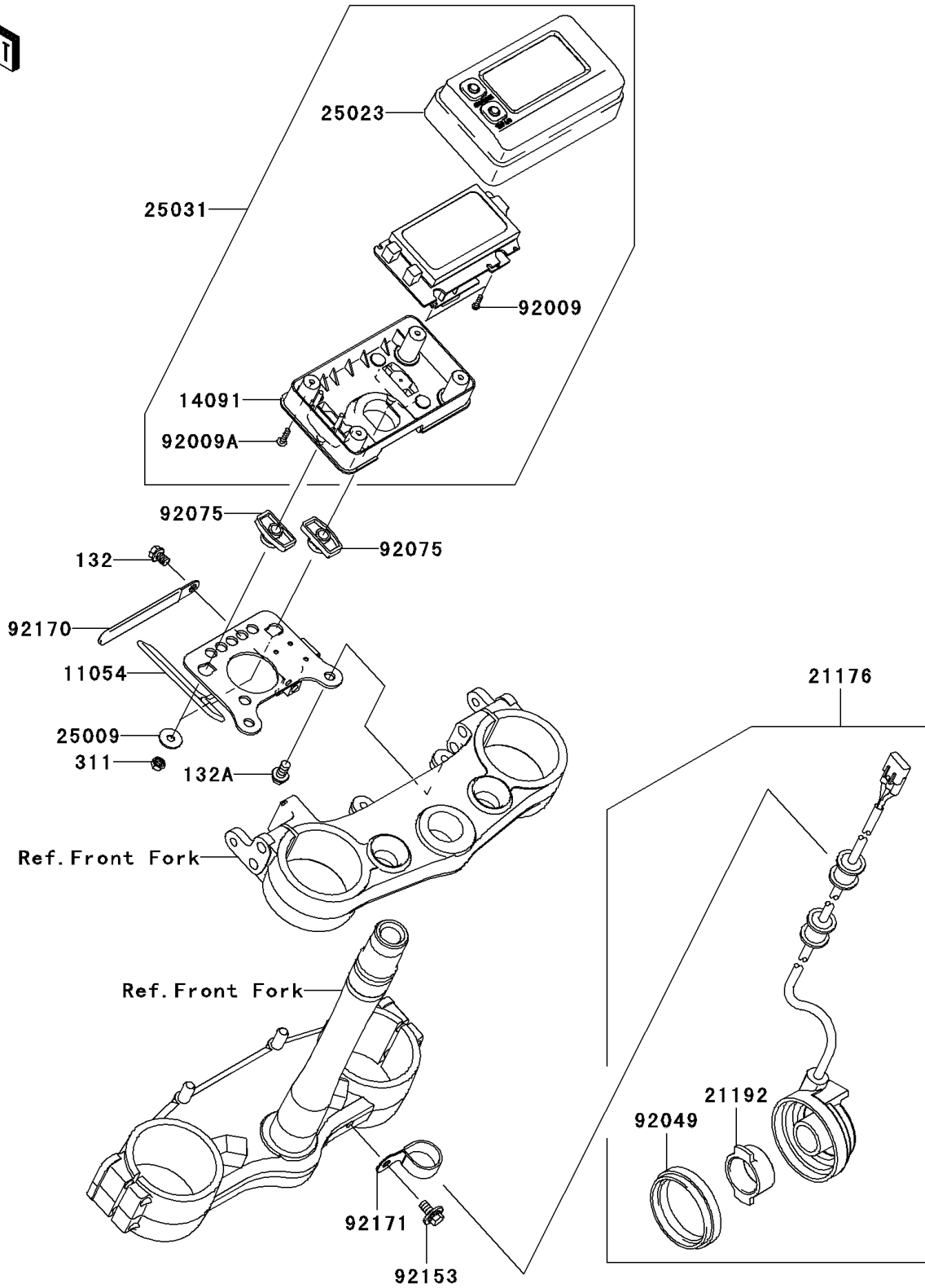


2010 PARTS DIAGRAM

Meter(s)

F2530



2010 PARTS LIST

Meter(s)

ITEM NAME	PART NUMBER	QUANTITY
BOLT-FLANGED-SMALL,6X8 (Ref # 132)	132BB0608	1
BOLT-FLANGED-SMALL,6X12 (Ref # 132A)	132BC0612	1
NUT-HEX (Ref # 311)	311AB0500	1
BRACKET (Ref # 11054)	11054-1090	1
COVER,METER,LWR (Ref # 14091)	14091-0806	1
SENSOR,SPEED (Ref # 21176)	21176-0080	1
MAGNET,SPEED SENSOR (Ref # 21192)	21192-0003	1
WASHER,5.2X16X1.2 (Ref # 25009)	25009-004	1
COVER-METER CASE,UPP (Ref # 25023)	25023-0033	1
METER-ASSY,LCD,KPH (Ref # 25031)	25031-0180	1
SCREW,TAPPING,3X12 (Ref # 92009)	92009-1028	1
SCREW,TAPPING,3X14 (Ref # 92009A)	92009-1592	1
SEAL-OIL (Ref # 92049)	92049-0102	1
DAMPER,METER BRACKET (Ref # 92075)	92075-1581	1
BOLT,6X12 (Ref # 92153)	92153-0503	1
CLAMP (Ref # 92170)	92170-1925	1
CLAMP (Ref # 92171)	92171-1279	1