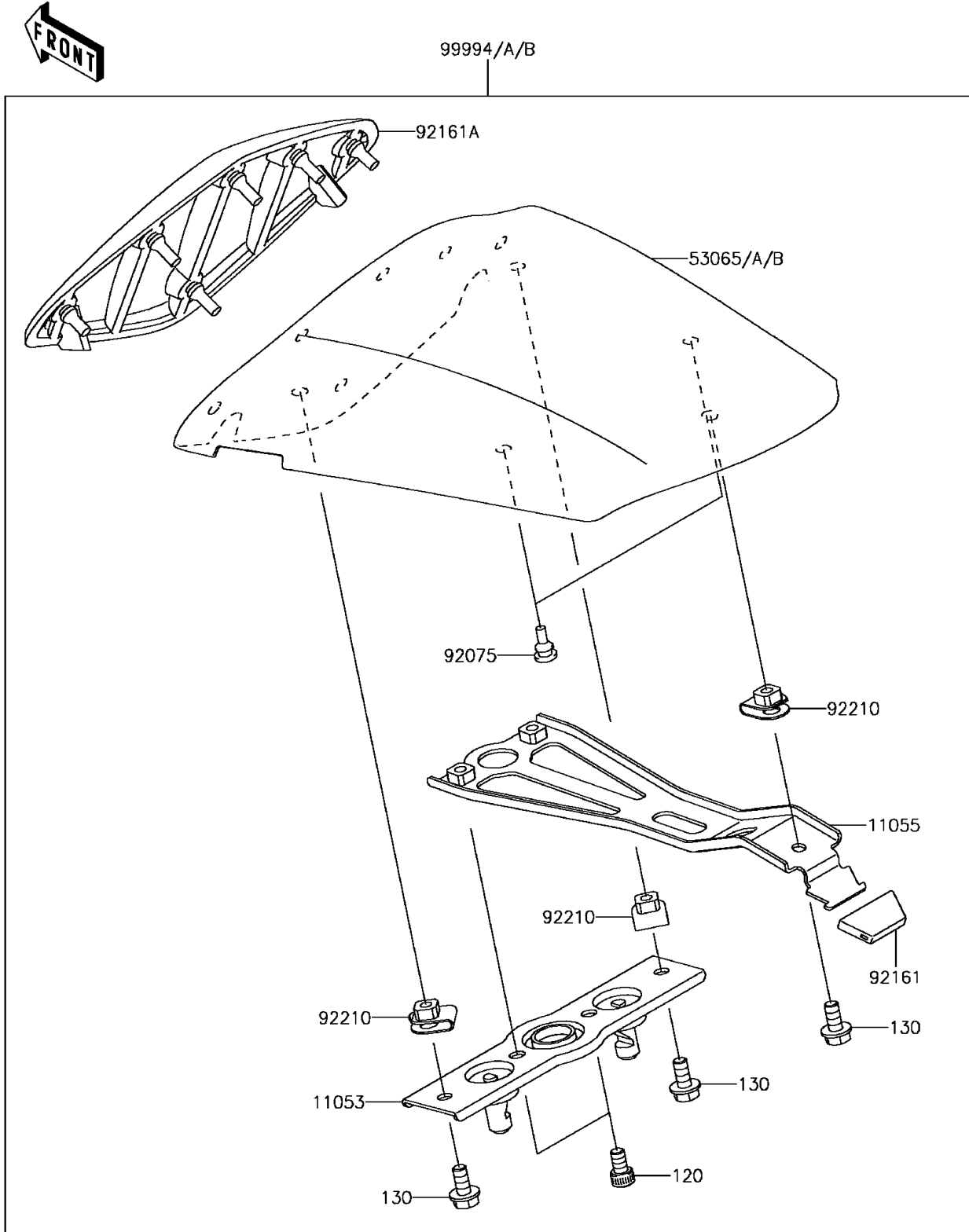


2016 NINJA® ZX™-6R PARTS DIAGRAM

Accessory(Single Seat Cover)

F2910



2016 NINJA® ZX™-6R PARTS LIST

Accessory(Single Seat Cover)

| ITEM NAME | PART NUMBER | QUANTITY |
|---|----------------|----------|
| BRACKET,SEAT LOCK STRIKER (Ref # 11053) | 11053-0386 | 1 |
| BRACKET,SEAT COVER (Ref # 11055) | 11055-0871 | 1 |
| BOLT-SOCKET,6X10 (Ref # 120) | 120CA0610 | 1 |
| BOLT-FLANGED,6X14 (Ref # 130) | 130BA0614 | 1 |
| COVER SEAT,F.EBONY (Ref # 53065) | 53065-0022-45L | 1 |
| DAMPER,6X10X15 (Ref # 92075) | 92075-1808 | 1 |
| DAMPER (Ref # 92161) | 92161-0629 | 1 |
| DAMPER,SEAT COVER (Ref # 92161A) | 92161-0697 | 1 |
| NUT,6MM (Ref # 92210) | 92210-0277 | 1 |
| KIT,SINGLE SEAT COVER,F.EBONY (Ref # 99994) | 99994-0351-45L | 1 |