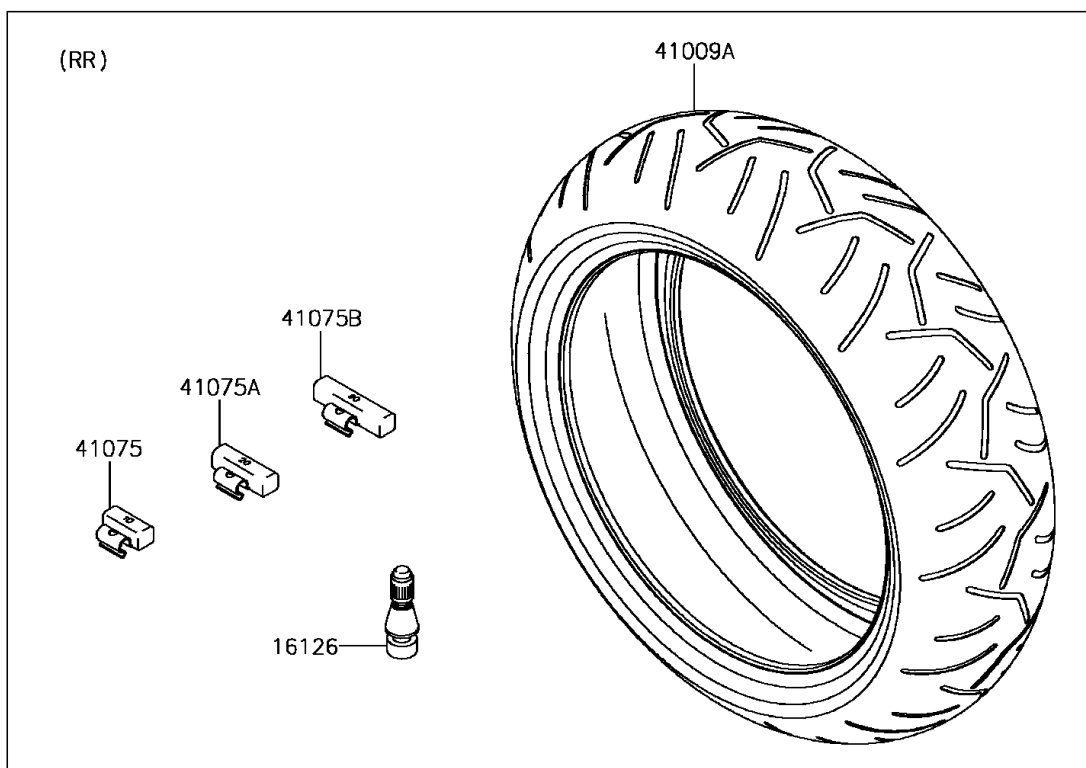
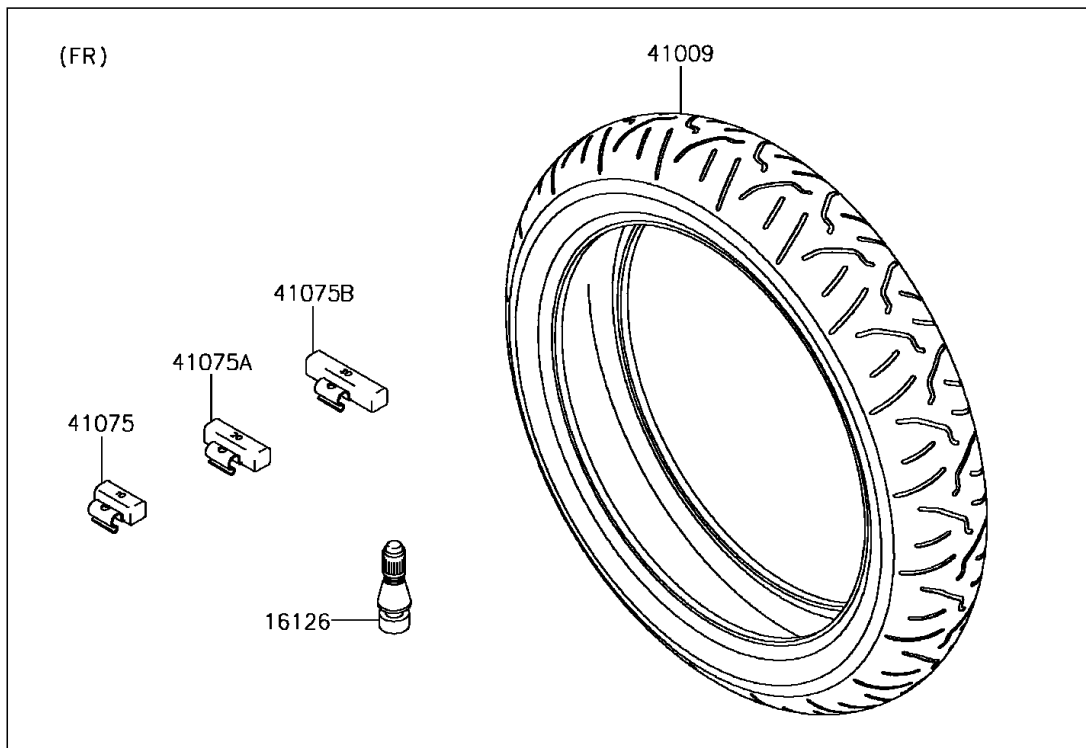


2016 NINJA® ZX™-6R PARTS DIAGRAM

Tires

F2210



2016 NINJA® ZX™-6R PARTS LIST

Tires

ITEM NAME	PART NUMBER	QUANTITY
VALVE,TIRE (Ref # 16126)	16126-1140	1
TIRE,FR,120/70ZR17(58W),S20F (Ref # 41009)	41009-0529	1
TIRE,RR,180/55ZR17(73W),S20R (Ref # 41009A)	41009-0530	1
BALANCER-WHEEL,10G,SILVER (Ref # 41075)	41075-0007	1
BALANCER-WHEEL,20G,SILVER (Ref # 41075A)	41075-0008	1
BALANCER-WHEEL,30G,SILVER (Ref # 41075B)	41075-0009	1