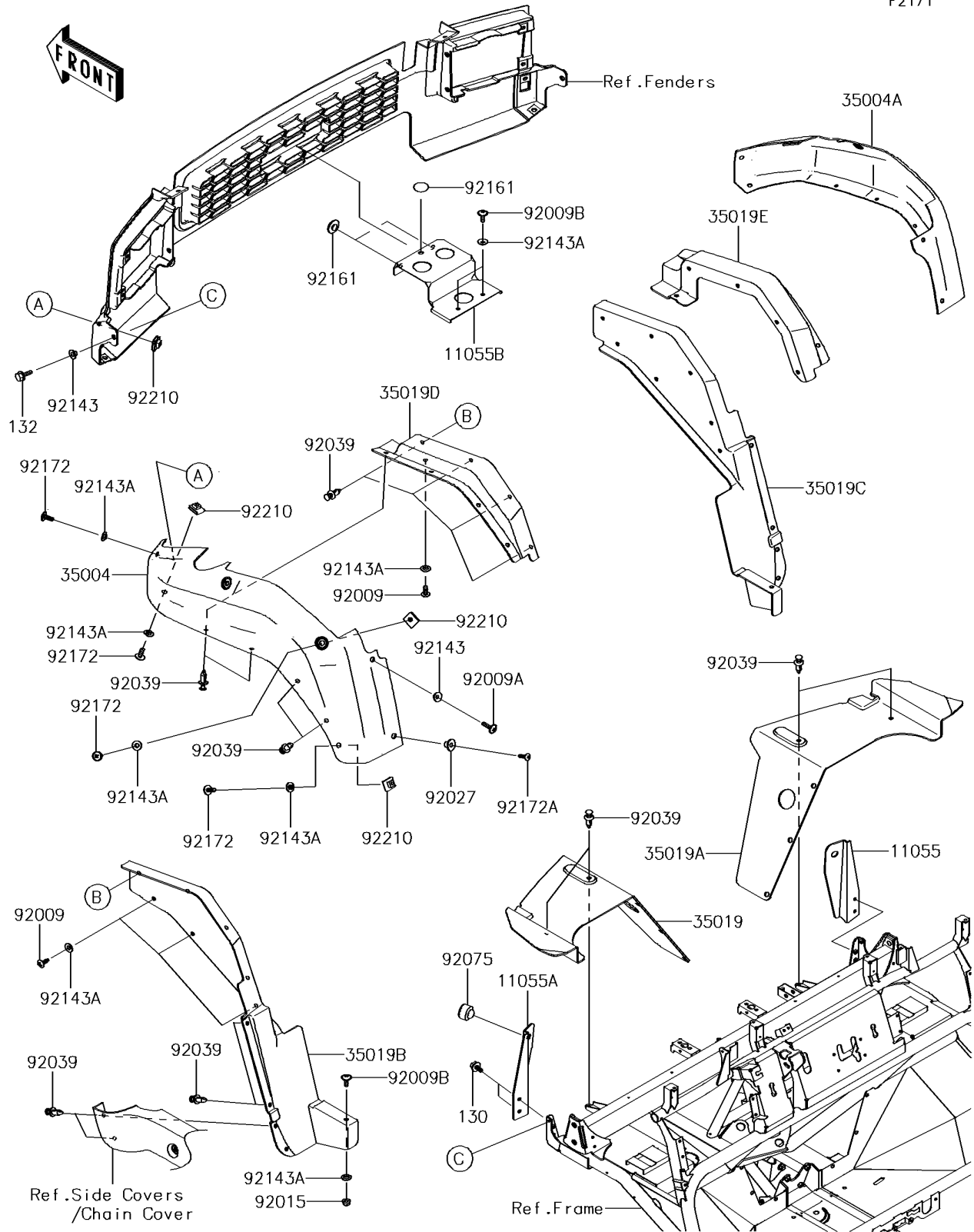


2016 MULE™ 4010 Trans 4x4® SE PARTS DIAGRAM

Front Fender(s)

F2171



2016 MULE™ 4010 Trans 4x4® SE PARTS LIST

Front Fender(s)

| ITEM NAME | PART NUMBER | QUANTITY |
|---|---------------|----------|
| BRACKET (Ref # 11055) | 11055-0917 | 1 |
| BRACKET (Ref # 11055A) | 11055-0918 | 1 |
| BRACKET (Ref # 11055B) | 11055-0954 | 1 |
| BOLT-FLANGED,6X14 (Ref # 130) | 130BA0614 | 1 |
| BOLT-FLANGED-SMALL,6X20 (Ref # 132) | 132BA0620 | 1 |
| FENDER-FRONT,SIDE,LH,F.BLACK (Ref # 35004) | 35004-0123-6Z | 1 |
| FENDER-FRONT,SIDE,RH,F.BLACK (Ref # 35004A) | 35004-0124-6Z | 1 |
| FLAP,FR,LH (Ref # 35019) | 35019-0062 | 1 |
| FLAP,FR,RH (Ref # 35019A) | 35019-0063 | 1 |
| FLAP,SIDE,RR,LH (Ref # 35019B) | 35019-0064 | 1 |
| FLAP,SIDE,RR,RH (Ref # 35019C) | 35019-0065 | 1 |
| FLAP,SIDE,MIDDLE,LH (Ref # 35019D) | 35019-0068 | 1 |
| FLAP,SIDE,MIDDLE,RH (Ref # 35019E) | 35019-0069 | 1 |
| SCREW,TAPPING,6X16 (Ref # 92009) | 92009-1166 | 1 |
| SCREW,6X22,BLACK (Ref # 92009A) | 92009-1256 | 1 |
| SCREW,6X16 (Ref # 92009B) | 92009-1621 | 1 |
| NUT,LOCK,FLANGED,6MM (Ref # 92015) | 92015-1675 | 1 |
| COLLAR (Ref # 92027) | 92027-1767 | 1 |
| RIVET (Ref # 92039) | 92039-0776 | 1 |
| DAMPER (Ref # 92075) | 92075-015 | 1 |
| COLLAR (Ref # 92143) | 92143-1057 | 1 |
| COLLAR (Ref # 92143A) | 92143-1087 | 1 |
| DAMPER,RUBBER (Ref # 92161) | 92161-1200 | 1 |
| SCREW,TAPPING,6X20 (Ref # 92172) | 92172-0488 | 1 |
| SCREW (Ref # 92172A) | 92172-1072 | 1 |
| NUT,LEAF SPRING,6MM (Ref # 92210) | 92210-0624 | 1 |