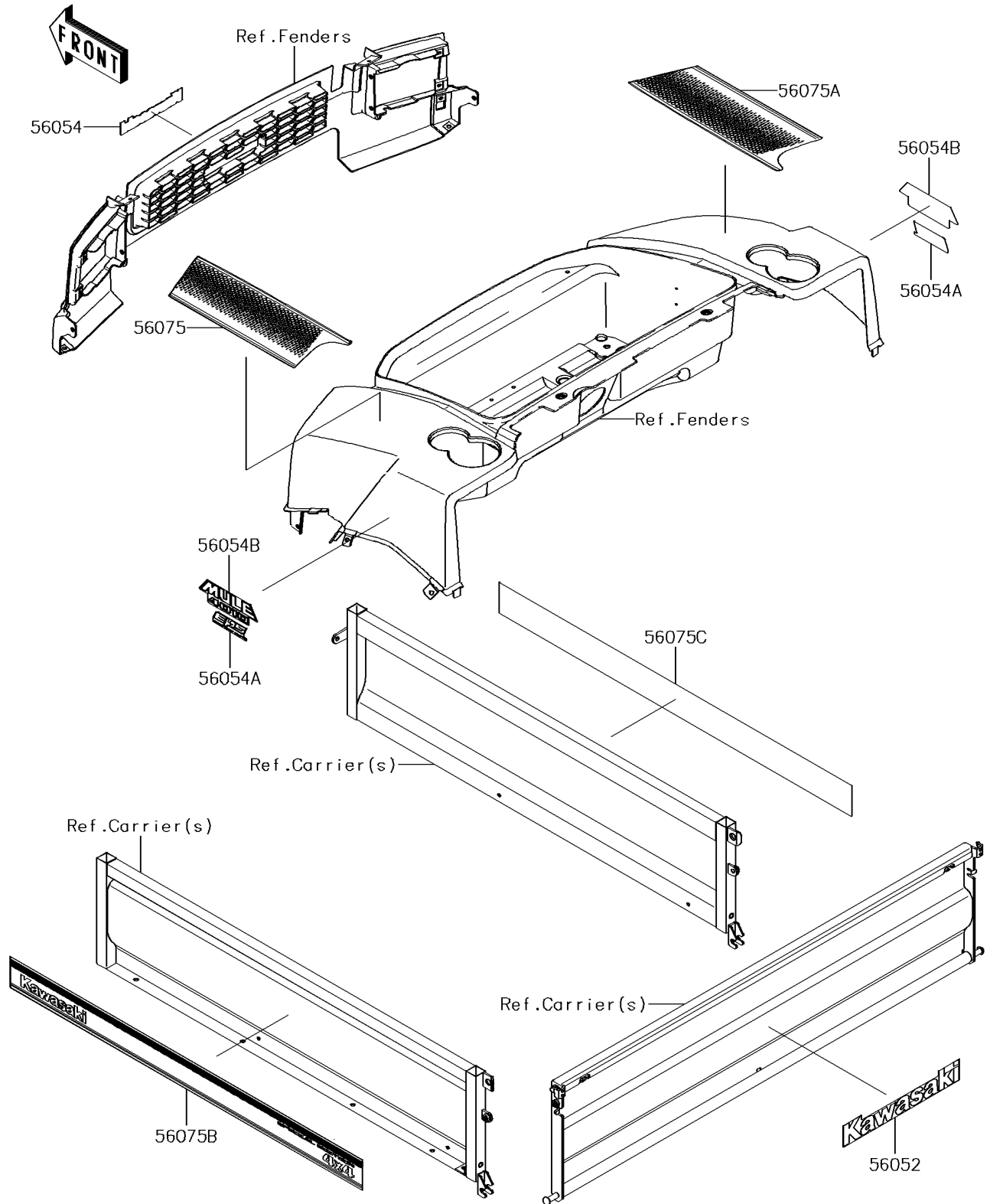


## 2016 Mule™ 4010 4x4 SE PARTS DIAGRAM

Decals(TGF/THF)

F2861



## 2016 Mule™ 4010 4x4 SE PARTS LIST

Decals(TGF/THF)

| ITEM NAME                               | PART NUMBER | QUANTITY |
|---|-------------|----------|
| MARK,KAWASAKI (Ref # 56052)             | 56052-1809  | 1        |
| MARK,FRONT GRILL,KAWASAKI (Ref # 56054) | 56054-0216  | 1        |
| MARK,FR FENDER,EPS (Ref # 56054A)       | 56054-1808  | 1        |
| MARK,FR FENDER,MULE4010 (Ref # 56054B)  | 56054-1812  | 1        |
| PATTERN,FR FENDER,LH (Ref # 56075)      | 56075-0658  | 1        |
| PATTERN,FR FENDER,RH (Ref # 56075A)     | 56075-0659  | 1        |
| PATTERN,SIDE PLATE,LH (Ref # 56075B)    | 56075-0660  | 1        |
| PATTERN,SIDE PLATE,RH (Ref # 56075C)    | 56075-0661  | 1        |