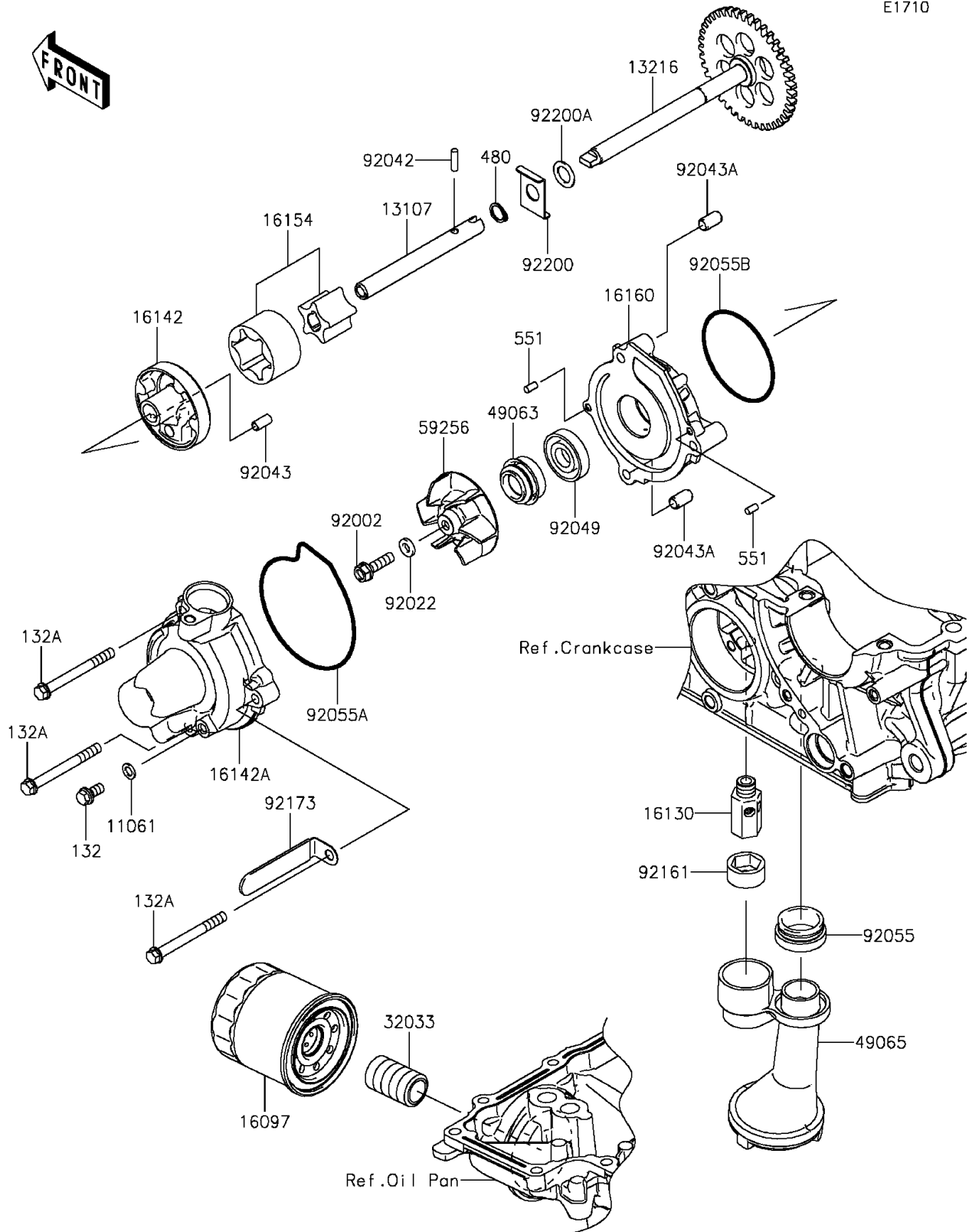


2015 VERSYS® 1000 ABS PARTS DIAGRAM

Oil Pump

E1710



2015 VERSYS® 1000 ABS PARTS LIST

Oil Pump

| ITEM NAME | PART NUMBER | QUANTITY |
|--|-------------|----------|
| GASKET (Ref # 11061) | 11061-0107 | 1 |
| SHAFT (Ref # 13107) | 13107-0214 | 1 |
| BOLT-FLANGED-SMALL,6X12 (Ref # 132) | 132BA0612 | 1 |
| GEAR-COMP,OIL PUMP,41T (Ref # 13216) | 13216-0020 | 1 |
| BOLT-FLANGED-SMALL,6X60 (Ref # 132A) | 132BC0660 | 1 |
| FILTER-ASSY-OIL (Ref # 16097) | 16097-0008 | 1 |
| VALVE-ASSY-RELIEF (Ref # 16130) | 16130-1058 | 1 |
| COVER-PUMP (Ref # 16142) | 16142-0064 | 1 |
| COVER-PUMP (Ref # 16142A) | 16142-0703 | 1 |
| ROTOR-PUMP (Ref # 16154) | 16154-0057 | 1 |
| BODY (Ref # 16160) | 16160-0702 | 1 |
| PIPE,OIL FILTER (Ref # 32033) | 32033-1535 | 1 |
| CIRCLIP-TYPE-C,11MM (Ref # 480) | 480J1100 | 1 |
| SEAL-MECHANICAL,WATER (Ref # 49063) | 49063-1055 | 1 |
| FILTER-OIL (Ref # 49065) | 49065-0026 | 1 |
| PIN-DOWEL,4X8 (Ref # 551) | 551A0408 | 1 |
| IMPELLER (Ref # 59256) | 59256-0555 | 1 |
| BOLT,6X22 (Ref # 92002) | 92002-1154 | 1 |
| WASHER,6.1X12X1 (Ref # 92022) | 92022-077 | 1 |
| PIN,DOWEL,4X13.8 (Ref # 92042) | 92042-030 | 1 |
| PIN,4.2X6X12 (Ref # 92043) | 92043-1262 | 1 |
| PIN,6.2X8X14 (Ref # 92043A) | 92043-1263 | 1 |
| SEAL-OIL (Ref # 92049) | 92049-0798 | 1 |
| RING-O,OIL FILTER (Ref # 92055) | 92055-1503 | 1 |
| RING-O,WATER PUMP COVER (Ref # 92055A) | 92055-1571 | 1 |
| RING-O,59.6X2.4 (Ref # 92055B) | 92055-3018 | 1 |
| DAMPER (Ref # 92161) | 92161-0070 | 1 |
| CLAMP (Ref # 92173) | 92173-1201 | 1 |
| WASHER (Ref # 92200) | 92200-0410 | 1 |

2015 VERSYS® 1000 ABS PARTS LIST

Oil Pump

| ITEM NAME | PART NUMBER | QUANTITY |
|-----------------------|-------------|----------|
| WASHER (Ref # 92200A) | 92200-1009 | 1 |