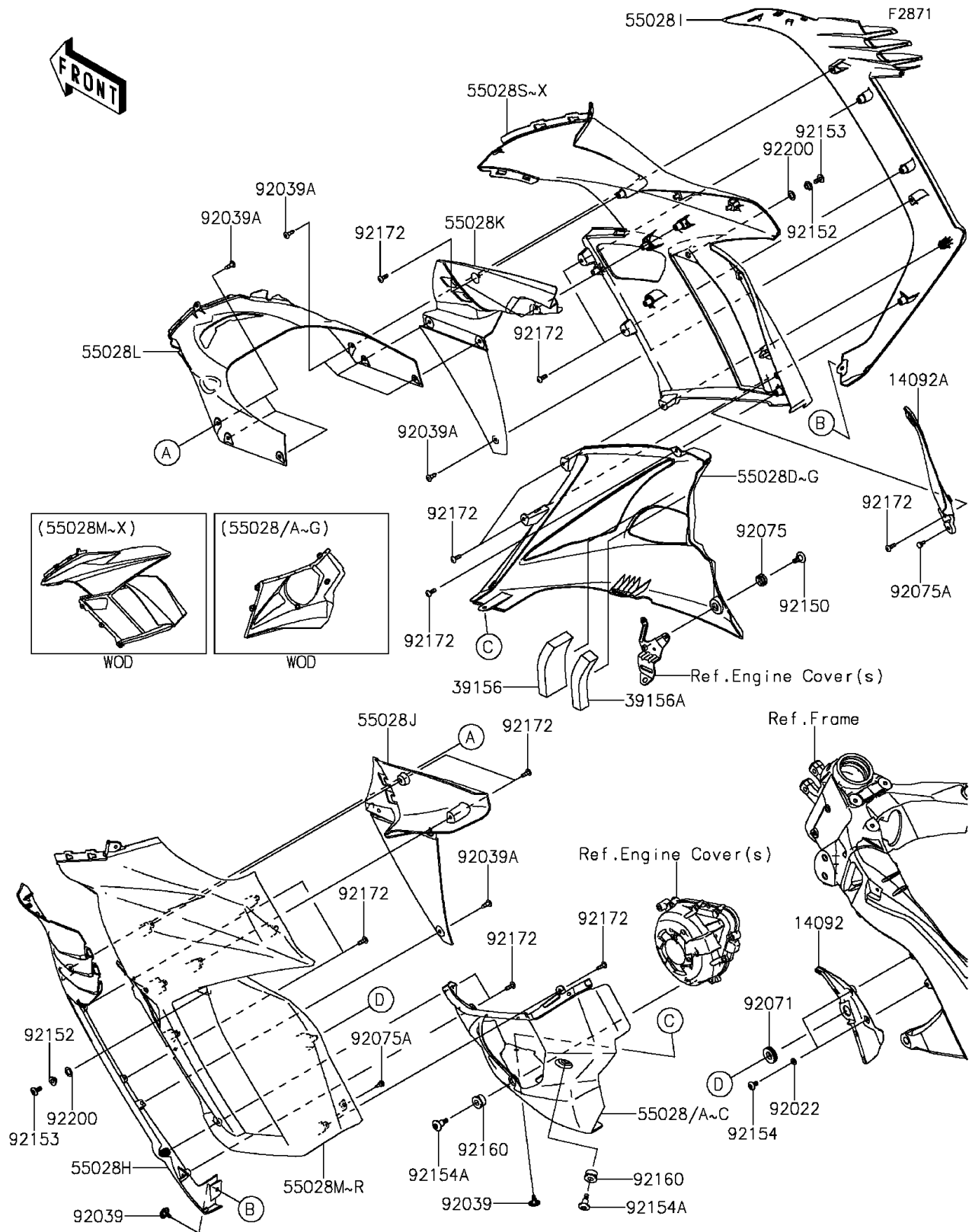


## 2014 NINJA® 1000 ABS PARTS DIAGRAM

Cowling(Center)



## 2014 NINJA® 1000 ABS PARTS LIST

Cowling(Center)

| ITEM NAME                                 | PART NUMBER    | QUANTITY |
|---|----------------|----------|
| COVER,LH (Ref # 14092)                    | 14092-0250     | 1        |
| COVER,RH (Ref # 14092A)                   | 14092-0251     | 1        |
| PAD,20X120X50 (Ref # 39156)               | 39156-0708     | 1        |
| PAD,20X140X15 (Ref # 39156A)              | 39156-0736     | 1        |
| COWLING,LWR,LH,M.S.BLACK (Ref # 55028B)   | 55028-0346-660 | 1        |
| COWLING,LWR,LH,M.F.S.BLACK (Ref # 55028C) | 55028-0346-739 | 1        |
| COWLING,LWR,RH,M.S.BLACK (Ref # 55028F)   | 55028-0347-660 | 1        |
| COWLING,LWR,RH,M.F.S.BLACK (Ref # 55028G) | 55028-0347-739 | 1        |
| COWLING,SLAT,LH,F.BLACK (Ref # 55028H)    | 55028-0348-6Z  | 1        |
| COWLING,SLAT,RH,F.BLACK (Ref # 55028I)    | 55028-0349-6Z  | 1        |
| COWLING,INNER,LH (Ref # 55028J)           | 55028-0350     | 1        |
| COWLING,INNER,RH (Ref # 55028K)           | 55028-0351     | 1        |
| COWLING,FR (Ref # 55028L)                 | 55028-0352     | 1        |
| COWLING,SIDE,LH,C.L.GREEN (Ref # 55028M)  | 55028-0386-17P | 1        |
| COWLING,SIDE,LH,C.C.BLUE (Ref # 55028N)   | 55028-0386-46M | 1        |
| COWLING,SIDE,RH,C.L.GREEN (Ref # 55028S)  | 55028-0387-17P | 1        |
| COWLING,SIDE,RH,C.C.BLUE (Ref # 55028T)   | 55028-0387-46M | 1        |
| WASHER,NYLON,5.3X11.5X1.5 (Ref # 92022)   | 92022-1521     | 1        |
| RIVET,HOLE 8MM (Ref # 92039)              | 92039-0014     | 1        |
| RIVET (Ref # 92039A)                      | 92039-0068     | 1        |
| GROMMET (Ref # 92071)                     | 92071-1043     | 1        |
| DAMPER (Ref # 92075)                      | 92075-1634     | 1        |
| DAMPER,6X10X15 (Ref # 92075A)             | 92075-1808     | 1        |
| BOLT,SOCKET,6MM (Ref # 92150)             | 92150-1154     | 1        |
| COLLAR,6.5X10X6.2 (Ref # 92152)           | 92152-1511     | 1        |
| BOLT,SOCKET,6X14 (Ref # 92153)            | 92153-1021     | 1        |
| BOLT,SOCKET,5X16 (Ref # 92154)            | 92154-0026     | 1        |
| BOLT,6X24 (Ref # 92154A)                  | 92154-0348     | 1        |
| DAMPER (Ref # 92160)                      | 92160-1141     | 1        |

## 2014 NINJA® 1000 ABS PARTS LIST

Cowling(Center)

| ITEM NAME                        | PART NUMBER | QUANTITY |
|----------------------------------|-------------|----------|
| SCREW,TAPPING,5X16 (Ref # 92172) | 92172-0238  | 1        |
| WASHER,10.3X17X1 (Ref # 92200)   | 92200-0380  | 1        |